
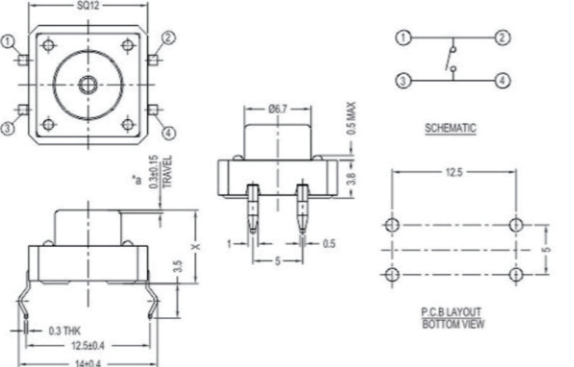


轻触开关
Tact Switch


轻触开关
Tact Switch



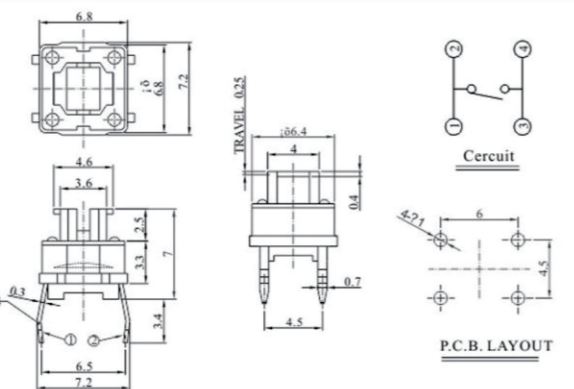
TC-12EA



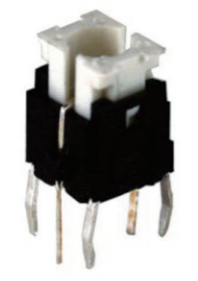
9.0±0.2
0.3±0.15 TRAVEL
0.3 THK
12.5±0.4
14±0.4
0.67
0.5
12.5
5
5
SCHEMATIC
P.C.B LAYOUT BOTTOM VIEW



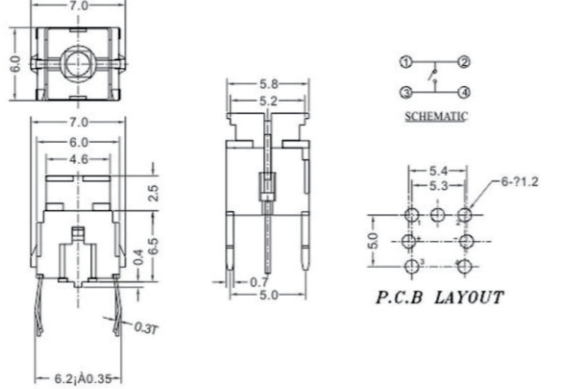
TC-1193




6.8
7.2
0.6
4.6
3.6
3.3
2.5
7
3.4
0.3
6.5
7.2
TRAVEL 0.25
106.4
4
0.4
4.5
4.5
6
4.5
SCHEMATIC
Circuit
P.C.B. LAYOUT



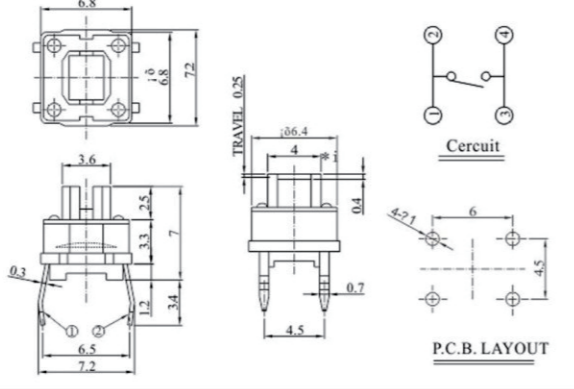
TC-1195




7.0
6.0
7.0
6.0
4.6
2.5
0.4
6.5
0.37
6.2±0.35
5.8
5.2
5.0
5.4
5.3
6-71.2
5.0
SCHEMATIC
P.C.B LAYOUT



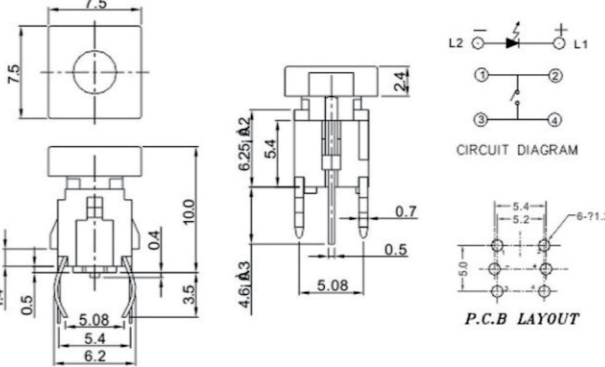
TC-1194




6.8
7.2
0.6
3.6
3.6
3.3
2.5
7
3.4
0.3
6.5
7.2
TRAVEL 0.25
106.4
4
0.4
4.5
4.5
6
4.5
SCHEMATIC
Circuit
P.C.B. LAYOUT



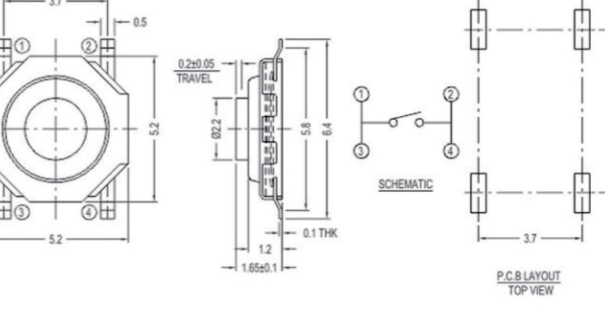
TC-1197




7.5
7.5
1.4
0.5
5.08
5.4
6.2
10.0
0.4
3.5
6.25±0.2
5.4
0.7
0.5
4.6±0.3
5.08
L2
L1
SCHEMATIC
CIRCUIT DIAGRAM
P.C.B LAYOUT



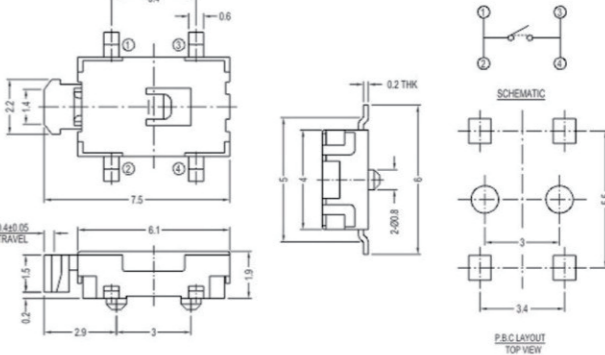
TD-13XA




3.7
0.5
0.2±0.05 TRAVEL
5.2
5.2
5.8
6.4
0.1 THK
1.2
1.65±0.1
5.8
3.7
SCHEMATIC
P.C.B LAYOUT TOP VIEW



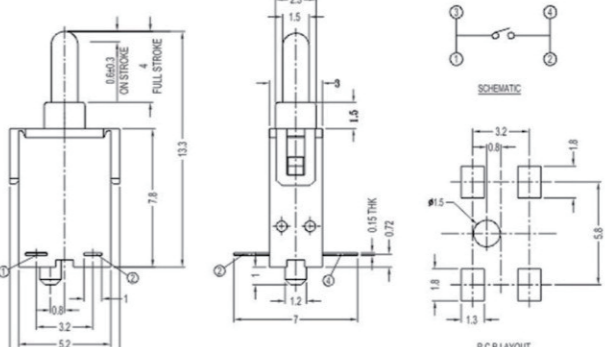
TD-16EA



3.4
0.6
2.2
1.4
7.5
0.4±0.05 TRAVEL
6.1
10
2.9
3
0.2 THK
2±0.08
5.5
3.4
SCHEMATIC
P.C.B LAYOUT TOP VIEW



TC-0036



2.3
1.5
3
1.8
11.3
7.8
0.15 THK
0.72
3.2
0.6
1.8
1.3
5.8
SCHEMATIC
P.C.B LAYOUT TOP VIEW