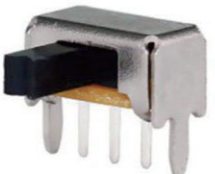
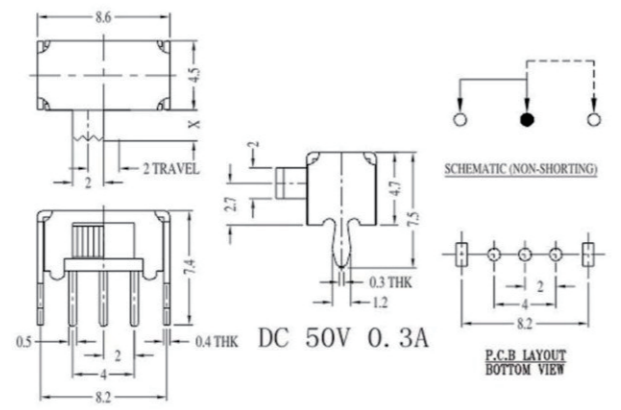


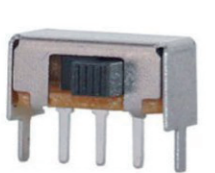
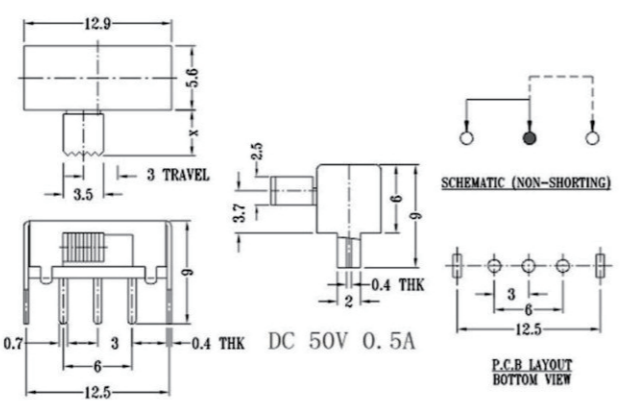
SK12D01

DC 50V 0.3A

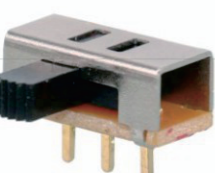
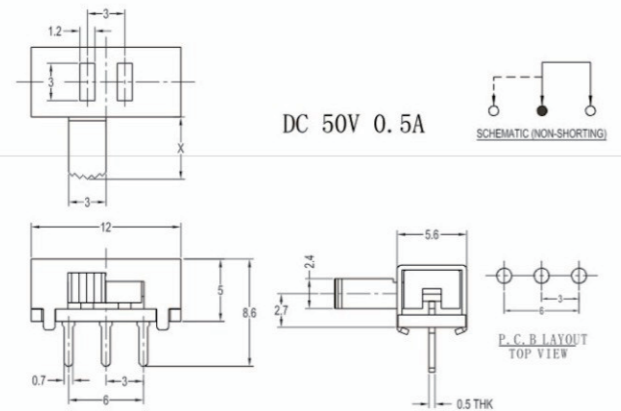
SK12D02

DC 50V 0.3A

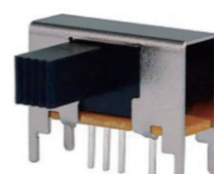
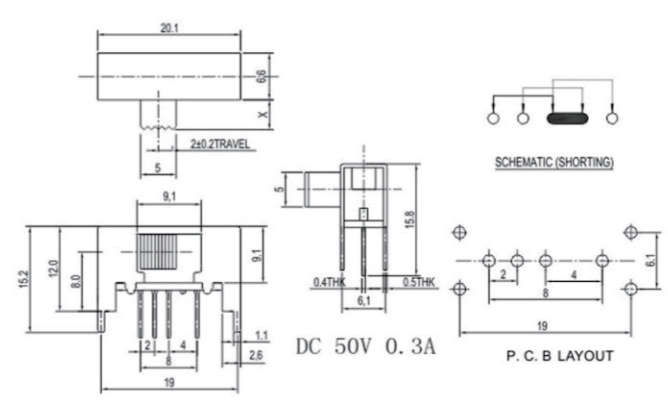
SK12E14

DC 50V 0.5A

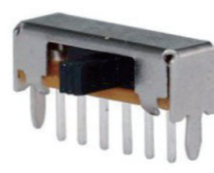
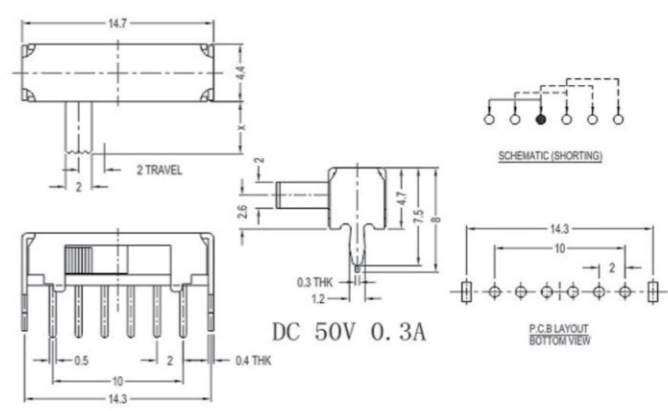
SK12F08

DC 50V 0.5A

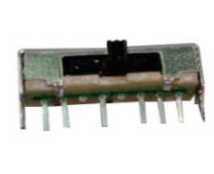
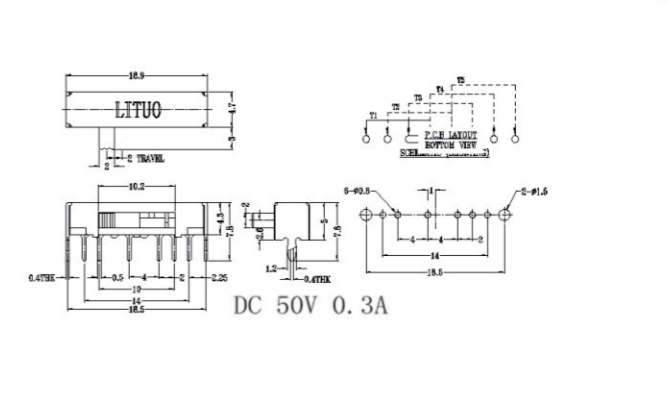
SK13D18

DC 50V 0.3A

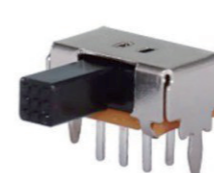
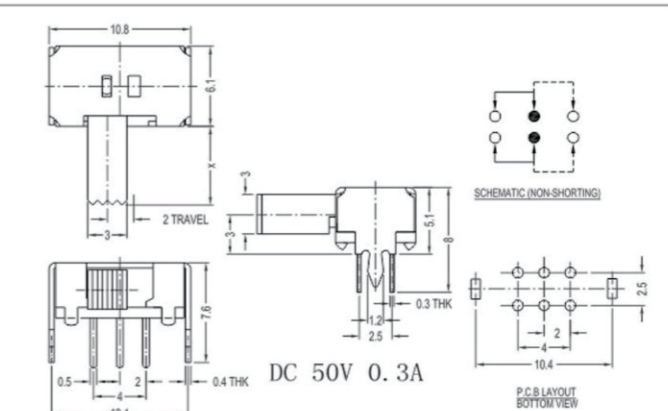
SK14D01

DC 50V 0.3A

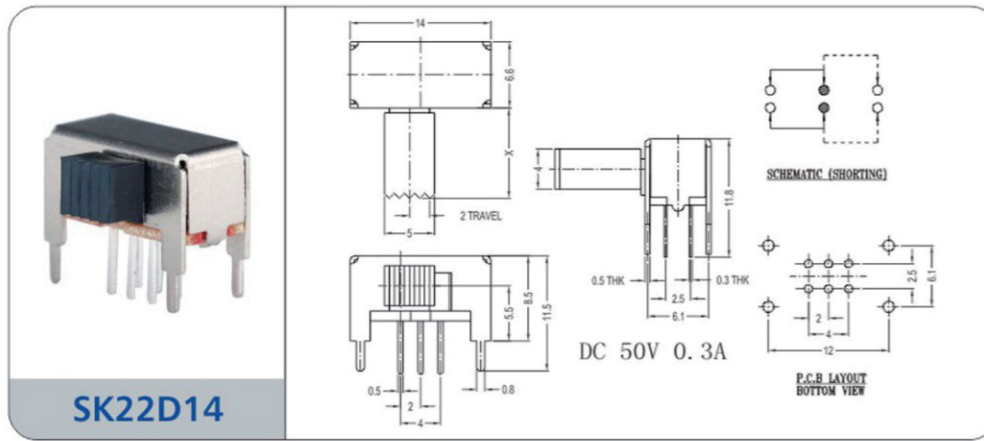
SK15D01

DC 50V 0.3A

SK22D02

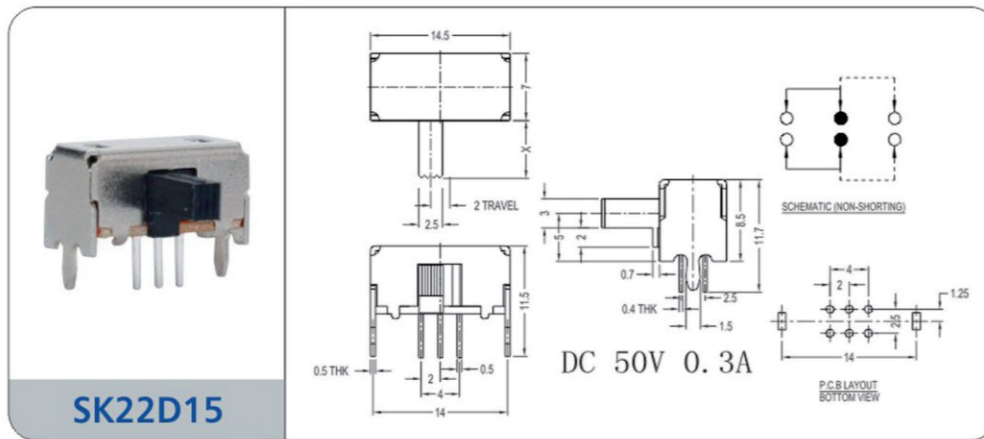
DC 50V 0.3A



SK22D14

DC 50V 0.3A

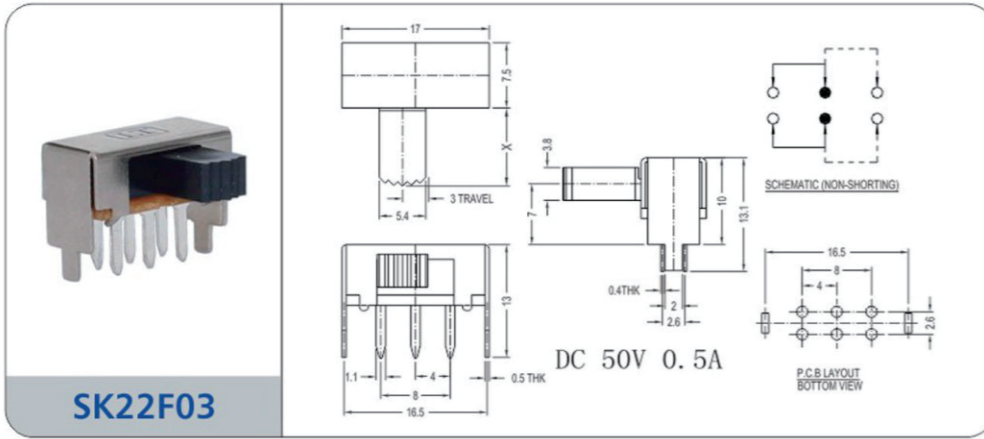
Technical drawings include: 3D perspective view, top view, side view, schematic (SHORTING), and P.C.B. LAYOUT BOTTOM VIEW.



SK22D15

DC 50V 0.3A

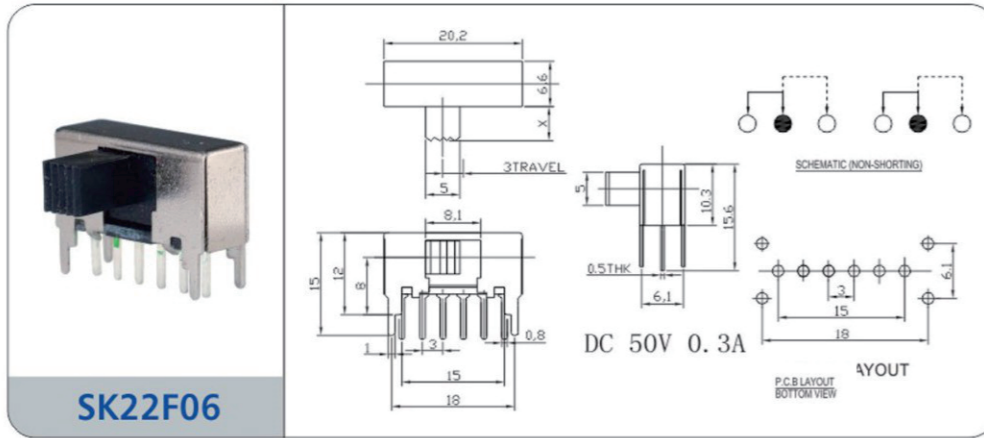
Technical drawings include: 3D perspective view, top view, side view, schematic (NON-SHORTING), and P.C.B. LAYOUT BOTTOM VIEW.



SK22F03

DC 50V 0.5A

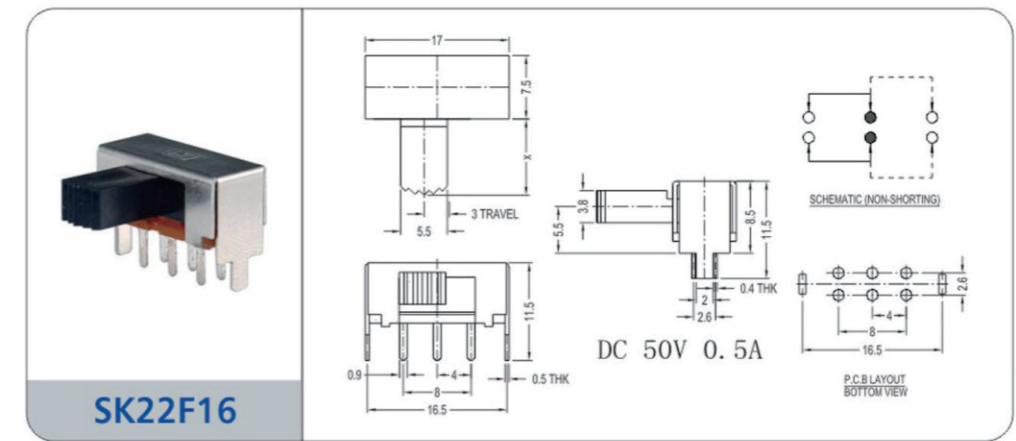
Technical drawings include: 3D perspective view, top view, side view, schematic (NON-SHORTING), and P.C.B. LAYOUT BOTTOM VIEW.



SK22F06

DC 50V 0.3A

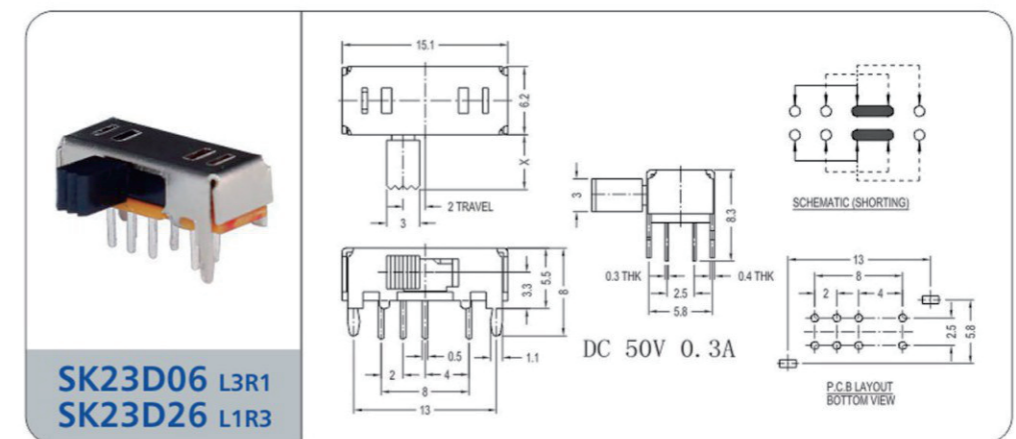
Technical drawings include: 3D perspective view, top view, side view, schematic (NON-SHORTING), and P.C.B. LAYOUT BOTTOM VIEW.



SK22F16

DC 50V 0.5A

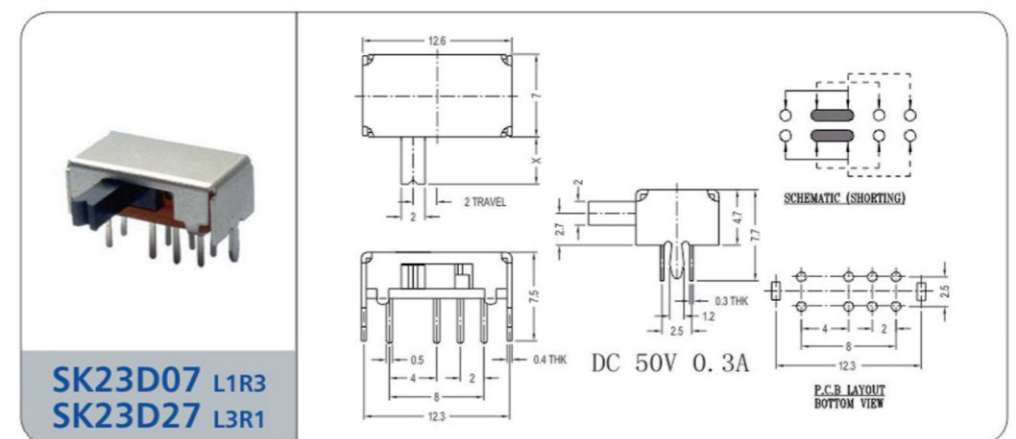
Technical drawings include: 3D perspective view, top view, side view, schematic (NON-SHORTING), and P.C.B. LAYOUT BOTTOM VIEW.



SK23D06 L3R1
SK23D26 L1R3

DC 50V 0.3A

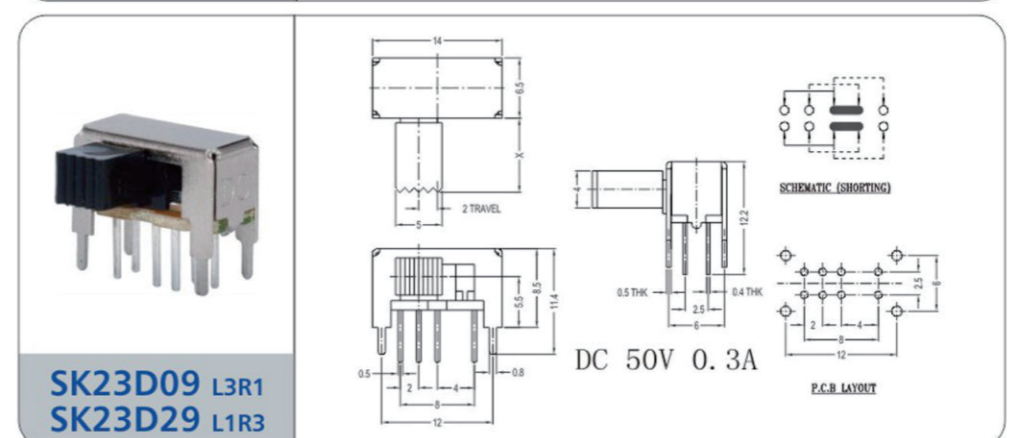
Technical drawings include: 3D perspective view, top view, side view, schematic (SHORTING), and P.C.B. LAYOUT BOTTOM VIEW.



SK23D07 L1R3
SK23D27 L3R1

DC 50V 0.3A

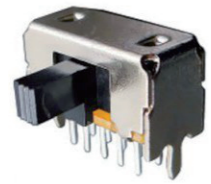
Technical drawings include: 3D perspective view, top view, side view, schematic (SHORTING), and P.C.B. LAYOUT BOTTOM VIEW.



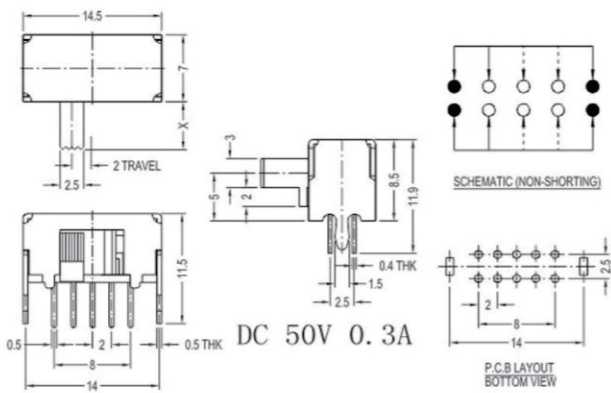
SK23D09 L3R1
SK23D29 L1R3

DC 50V 0.3A

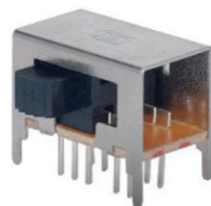
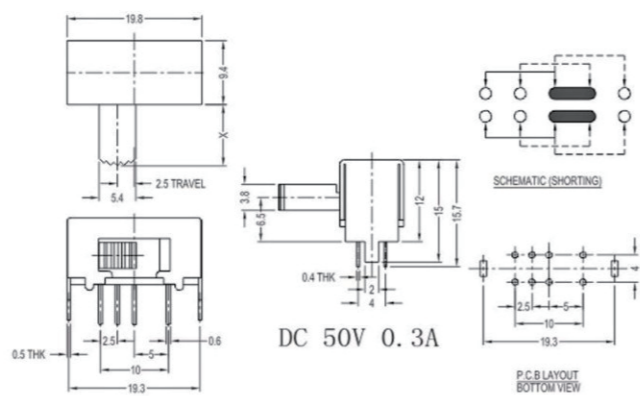
Technical drawings include: 3D perspective view, top view, side view, schematic (SHORTING), and P.C.B. LAYOUT BOTTOM VIEW.



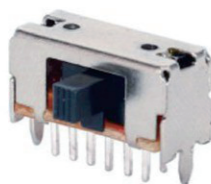
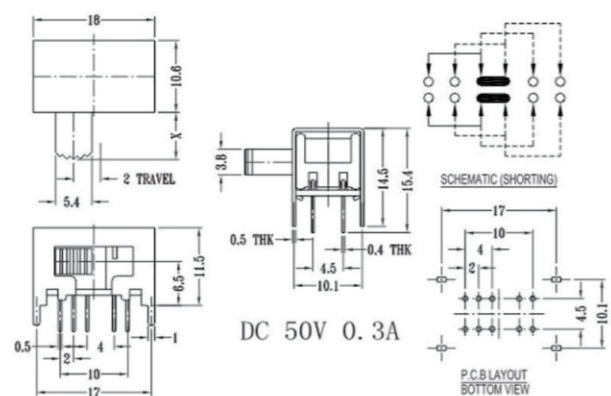
SK23D15



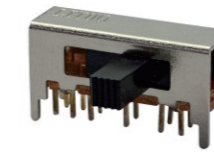
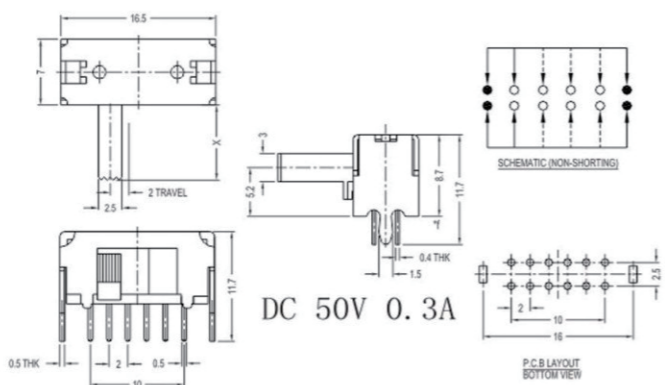
SK23E01 L3R1
SK23E11 L1R3



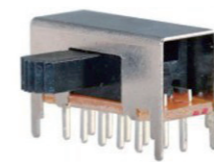
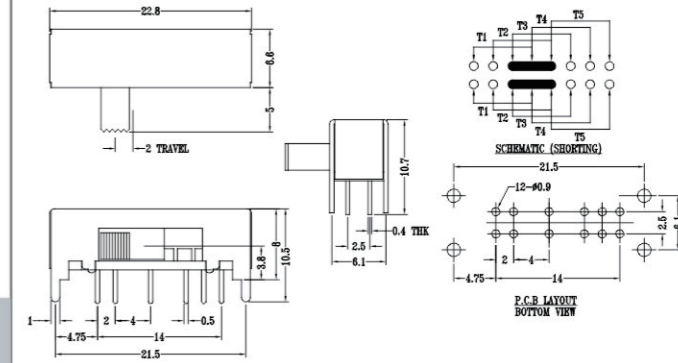
SK24D01 L3R2



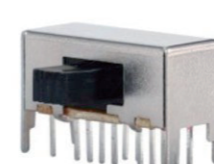
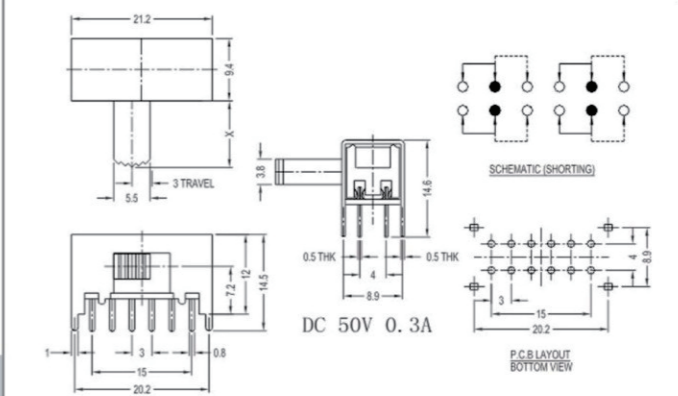
SK24D03



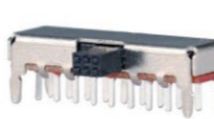
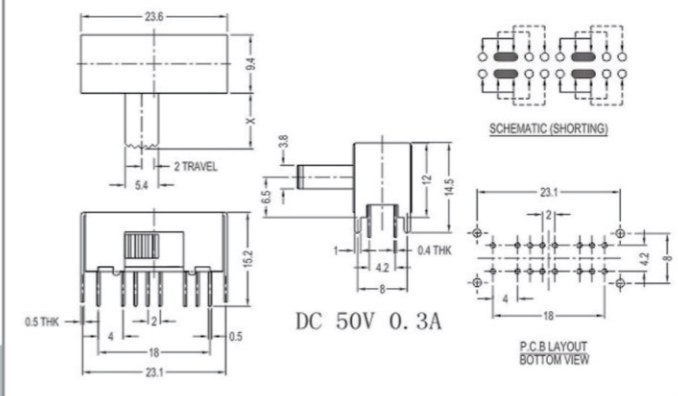
SK25D01



SK42F01



SK43D01 L1R3



SK62D01

