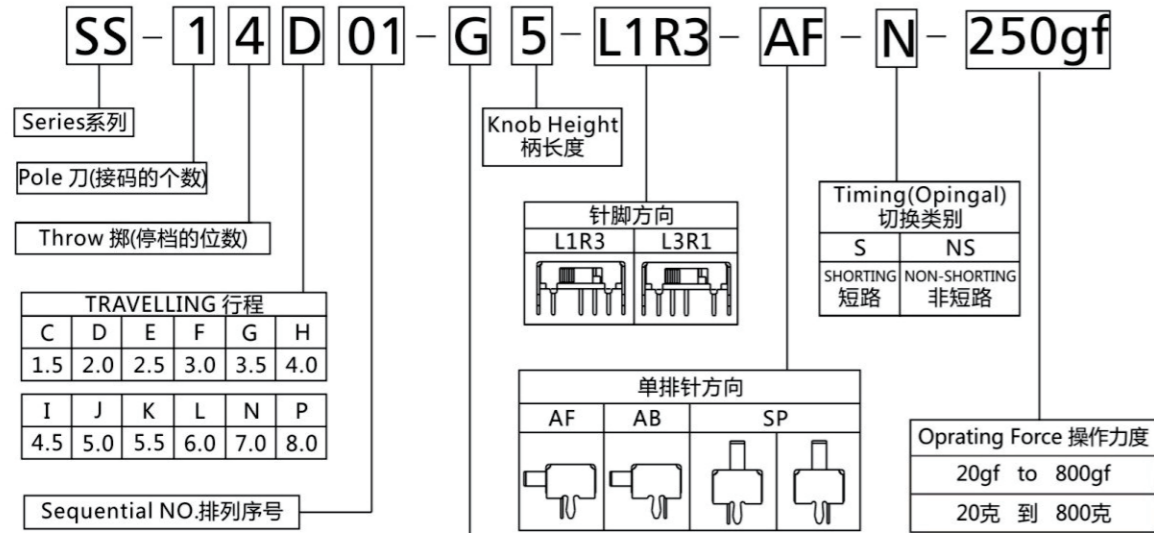
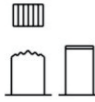
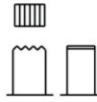

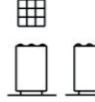
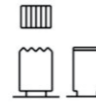

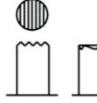

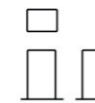



Code Explanation 型号说明  
FOR SERIE SS,SK,TS

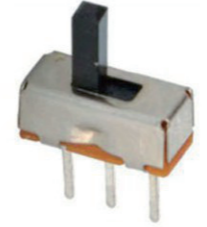


KNOB TYPE 柄形

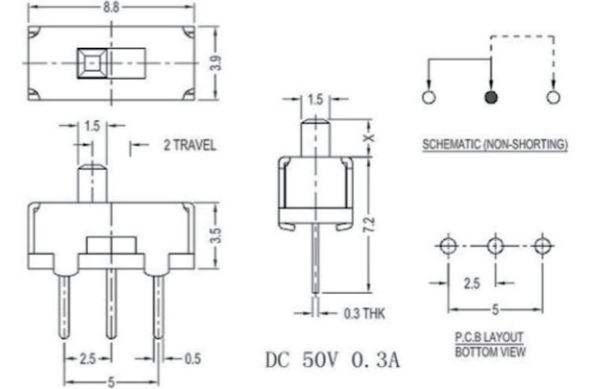
 RG柄	 EG柄	 VG柄	 PG柄	 G柄
 GR柄	 NAT柄	 AT柄	 TG柄	 M柄

GENERAL SPECIFICATION 一般规格  
FOR SERIES: SS,SK,TS


RATING	使用功率	As Per Individual Specification
CONTACT RESISTANCE	接触电阻	100mΩ Max.
INSULATION RESISANCE	绝缘电阻	100MΩ at 500V DC
WITHSTAND VOLGE	抵抗电压	AC 500V for 1 minute
OPERATING FORCE	操作力	As Per Individual Specification
SWITCHING LIFE	使用寿命	10,000 cycles min. Unlonading 15-18cycles per min.



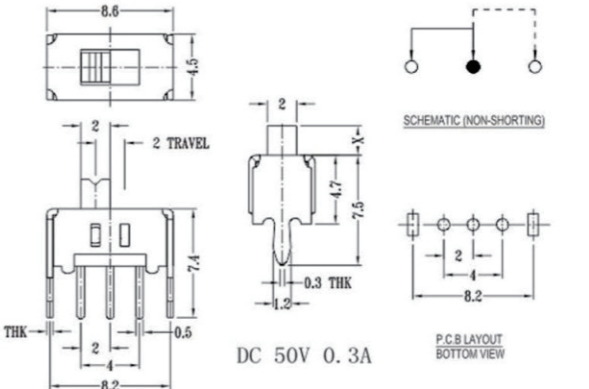
SS12D00




DC 50V 0.3A



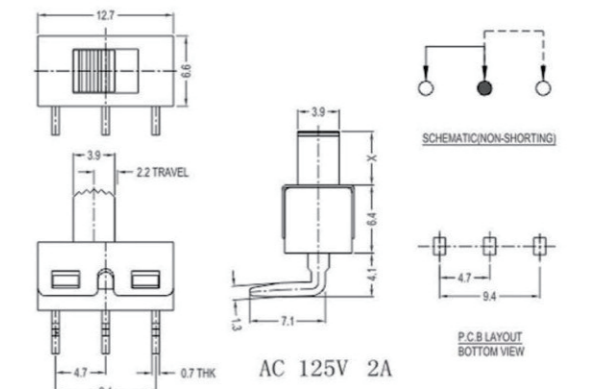
SS12D02




DC 50V 0.3A



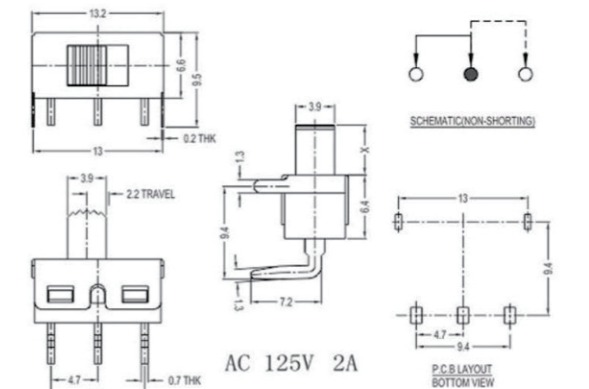
SS12D06



AC 125V 2A




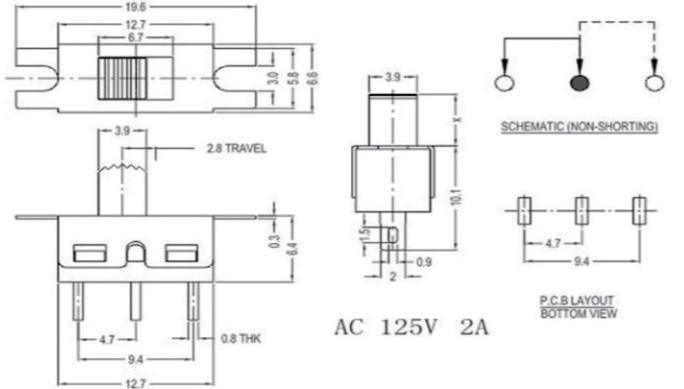
SS12D11



AC 125V 2A

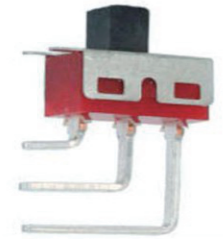
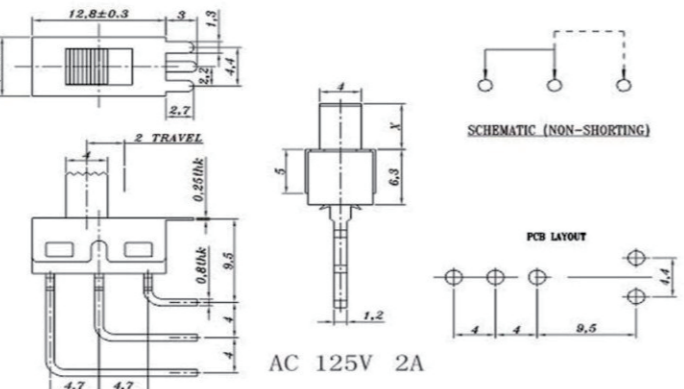
直柄拨动开关  
Vertical Slide Switch

直柄拨动开关  
Vertical Slide Switch


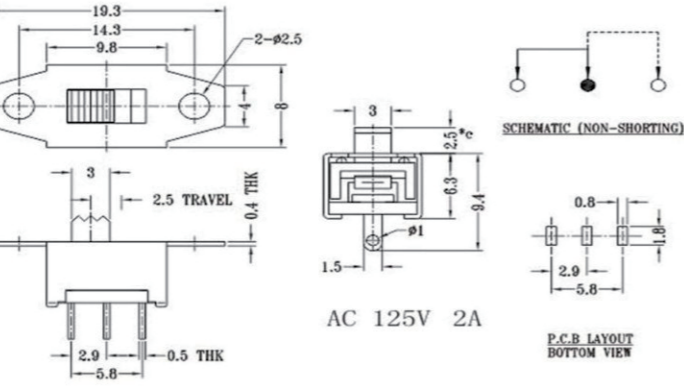
**SS12D16**

AC 125V 2A

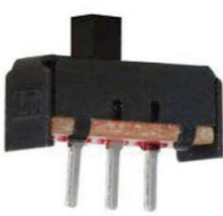
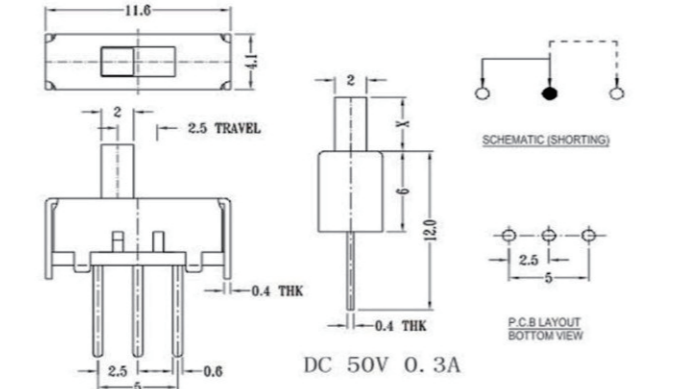
**SS12D28**

AC 125V 2A


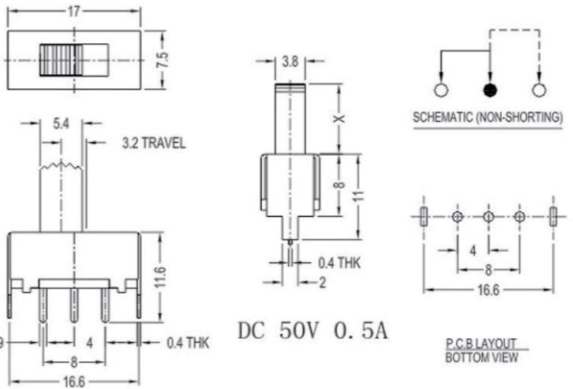
**SS12E06**

AC 125V 2A


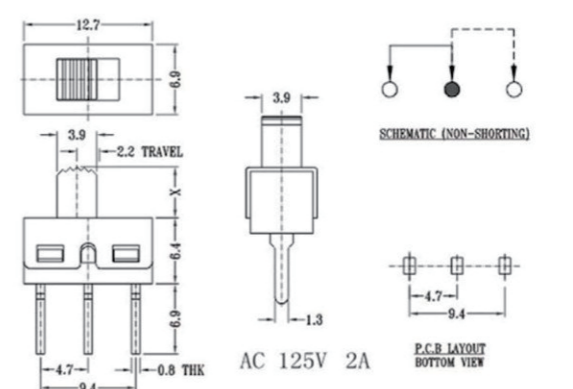
**SS12E17**

DC 50V 0.3A

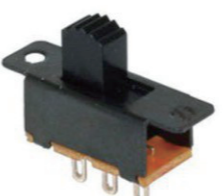
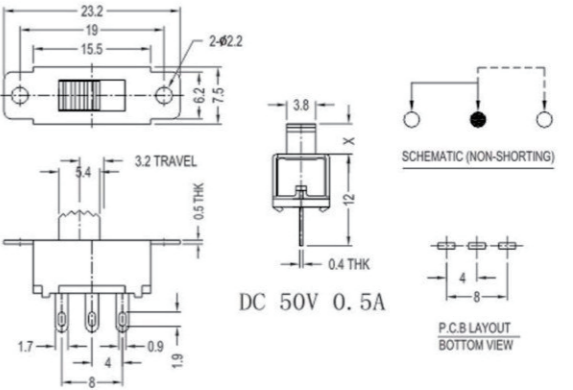
**SS12F03**

DC 50V 0.5A


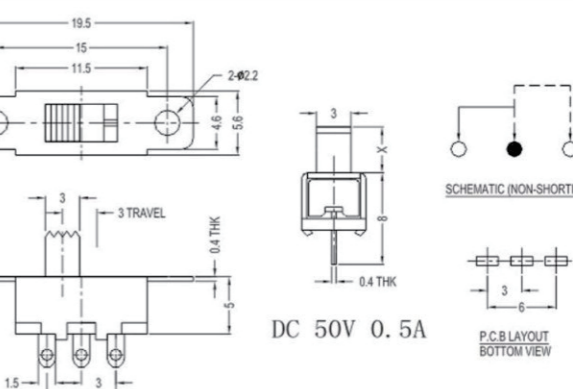
**SS12D10**

AC 125V 2A

**SS12F12**

DC 50V 0.5A

**SS12F17**

DC 50V 0.5A

直柄拨动开关  
Vertical Slide Switch

直柄拨动开关  
Vertical Slide Switch

**SS12F25**

DC 50V 0.5A

Dimensions: 17, 7.5, 5.4, 3.2 TRAVEL, 3.8, 24, 1.3, 4, 0.5 THK, 16.5, 2, 0.4 THK, 24.

SCHEMATIC (NON-SHORTING)

P.C.B LAYOUT BOTTOM VIEW

**SS12F48**

DC 50V 0.5A

Dimensions: 26.9, 21.8, 13, 2-Ø1.4, 5.7, 3, 3 TRAVEL, 8.8, 0.4 THK, 1.5, 3, 0.9, 0.5 THK, 6.

SCHEMATIC (NON-SHORTING)

P.C.B LAYOUT BOTTOM VIEW

**SS12L04**

DC 50V 0.5A

Dimensions: 16.4, 7.6, 3, 6 TRAVEL, 11.5, 12.6, 0.5 THK, 2.5, 1.5, 3, 0.4 THK, 16, 1, 1.5, 6.

SCHEMATIC (NON-SHORTING)

P.C.B LAYOUT BOTTOM VIEW

**SS13D01**

DC 50V 0.3A

Dimensions: 12.7, 4.5, 2, 2 TRAVEL, 7.6, 0.3 THK, 12, 2, 4, 0.5 THK, 12.3, 2, 2, 12.3.

SCHEMATIC (SHORTING)

P.C.B LAYOUT BOTTOM VIEW

**SS12L07**

DC 50V 0.3A

Dimensions: 27.1, 23.2, 19.8, 6.3, 2-Ø2.2, 5, 6 TRAVEL, 0.5 THK, 10.6, 1.4, 0.5 THK, 1.5, 3, 0.8, 9.

SCHEMATIC (NON-SHORTING)

P.C.B LAYOUT BOTTOM VIEW

**SS13D03**

DC 50V 0.3A

Dimensions: 19.6, 15, 11.6, 2-Ø1, 4.4, 2, 2 TRAVEL, 0.4 THK, 0.3 THK, 0.5, 2, 8.

SCHEMATIC (SHORTING)

P.C.B LAYOUT BOTTOM VIEW

**SS22D03**

DC 50V 0.3A

Dimensions: 8.8, 2, 2 TRAVEL, 7.5, 0.3 THK, 2.5, 12, 0.5, 2, 0.4 THK, 8.2, 2, 2, 8.2.

SCHEMATIC (NON-SHORTING)

P.C.B LAYOUT BOTTOM VIEW

**SS13F07**

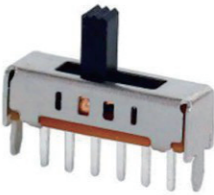
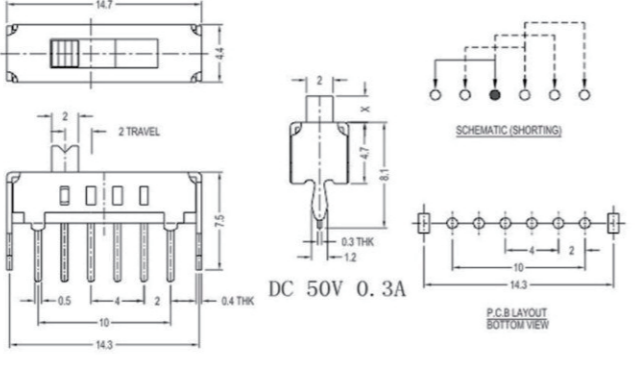
DC 50V 0.3A

Dimensions: 27.1, 23.2, 19.8, 6.3, 2-Ø2.2, 5, 3 TRAVEL, 0.5 THK, 10.6, 1.4, 0.5 THK, 1.5, 3, 0.8, 9.

SCHEMATIC (NON-SHORTING)

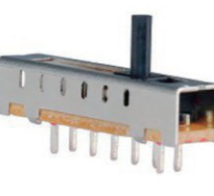
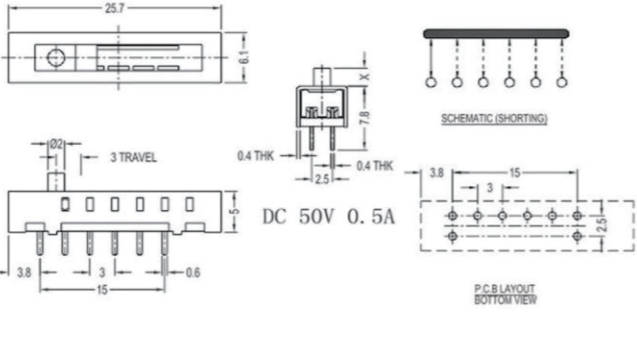
P.C.B LAYOUT BOTTOM VIEW

直柄拨动开关  
Vertical Slide Switch


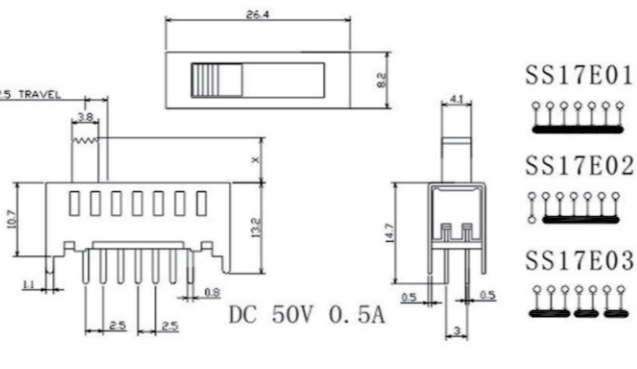
**SS14D01**

DC 50V 0.3A

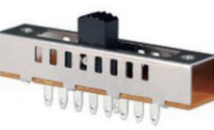
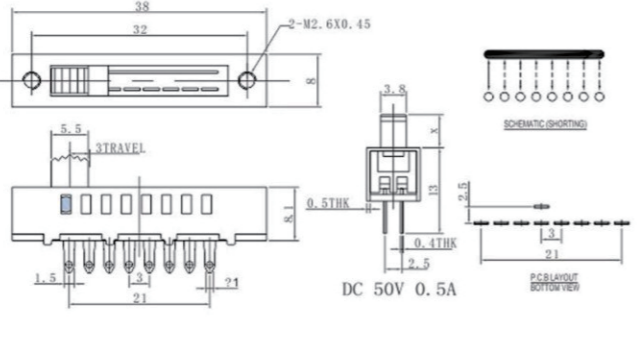
**SS16F01**

DC 50V 0.5A

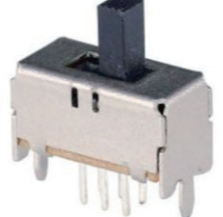
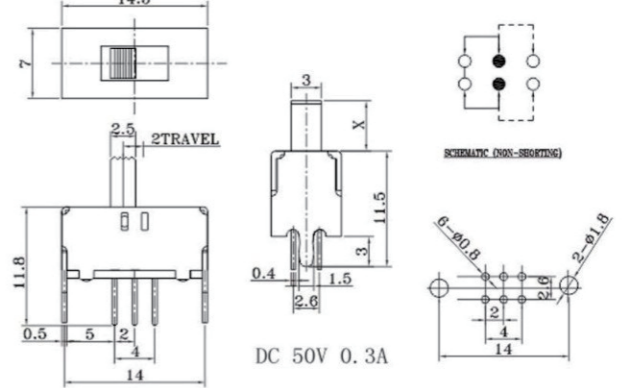
**SS17E01**  
**SS17E02**  
**SS17E03**

DC 50V 0.5A


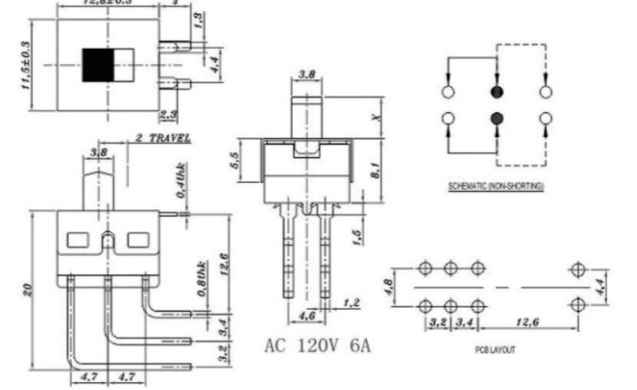
**SS18F08**

DC 50V 0.5A

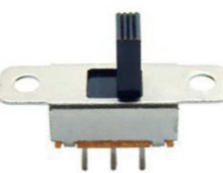
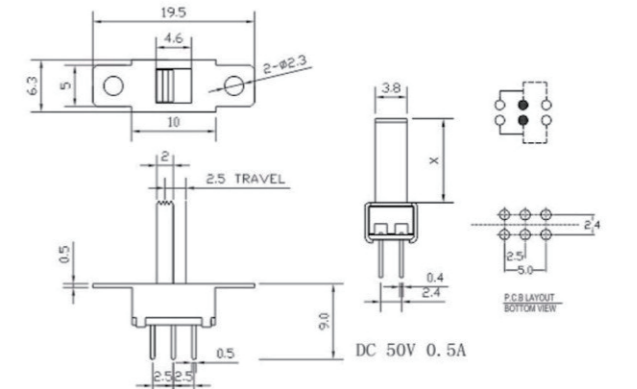
**SS22D15**

DC 50V 0.3A


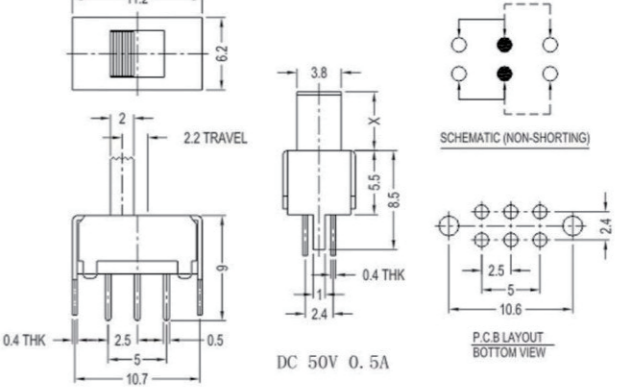
**SS22D28**

AC 120V 6A

**SS22E02**

DC 50V 0.5A





**SS22E01**

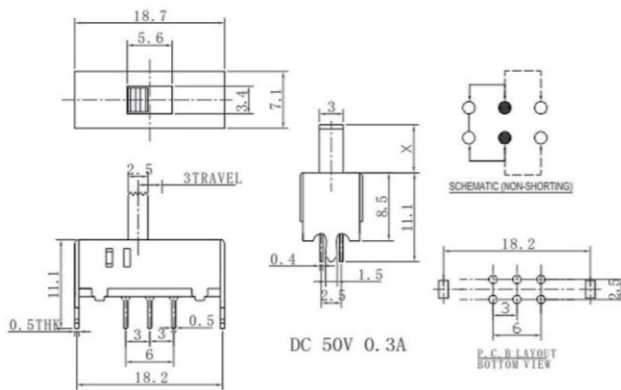
DC 50V 0.5A

直柄拨动开关  
Vertical Slide Switch

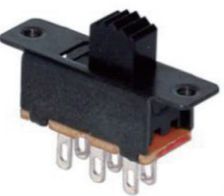
直柄拨动开关  
Vertical Slide Switch



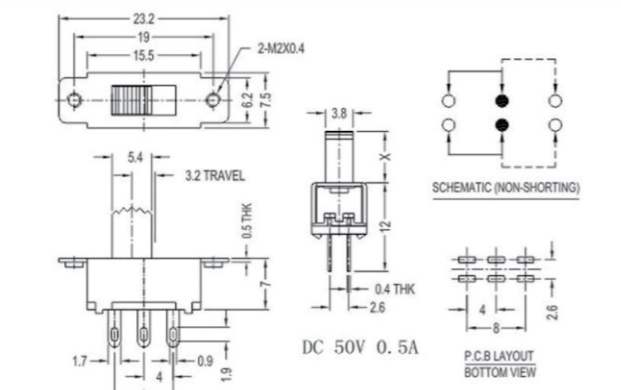
**SS22F11**




DC 50V 0.3A



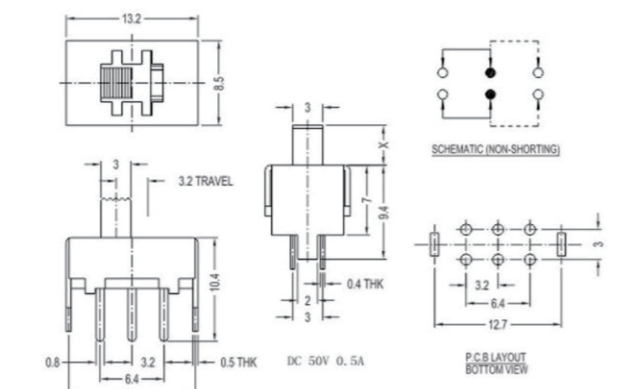
**SS22F25**




DC 50V 0.5A



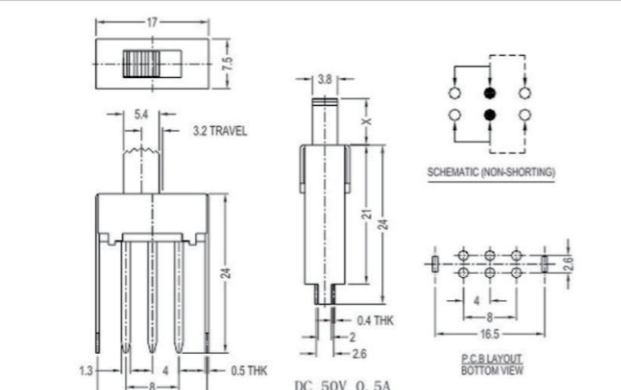
**SS22F03**




DC 50V 0.5A



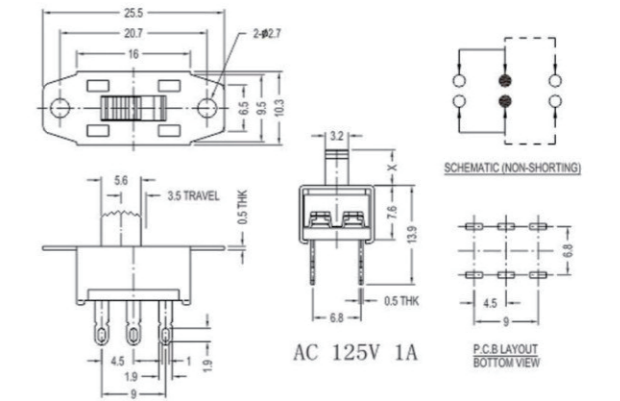
**SS22F22**




DC 50V 0.5A



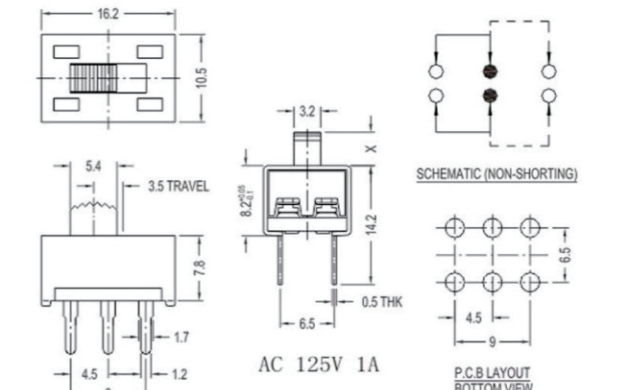
**SS22G08**




AC 125V 1A



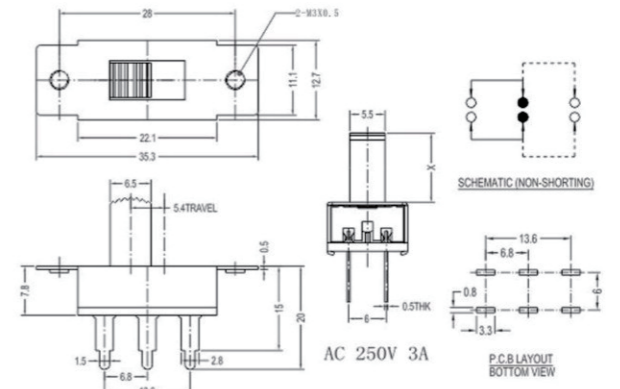
**SS22G88**




AC 125V 1A



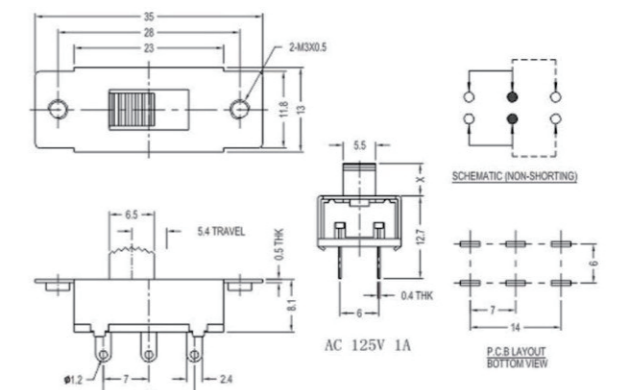
**SS22K31**



AC 250V 3A




**SS22K29**



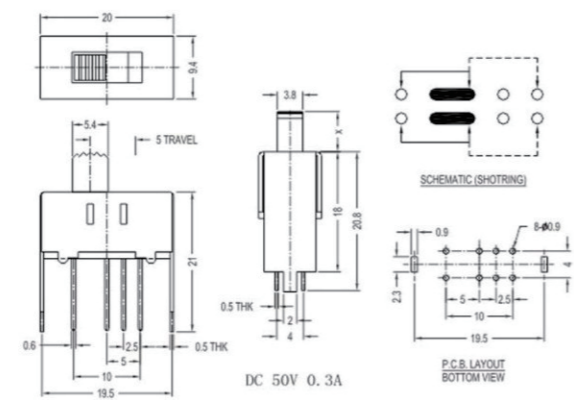
AC 125V 1A

直柄拨动开关  
Vertical Slide Switch


直柄拨动开关  
Vertical Slide Switch



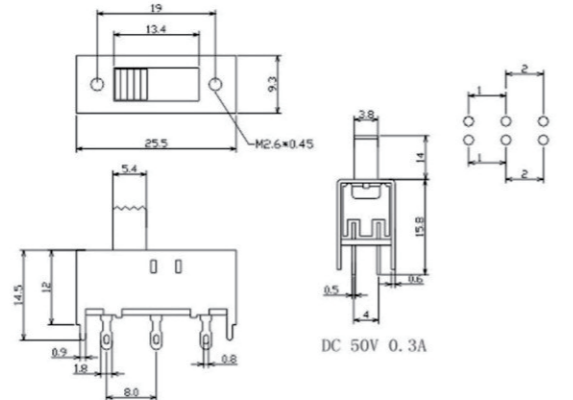
**SS22J13**




DC 50V 0.3A



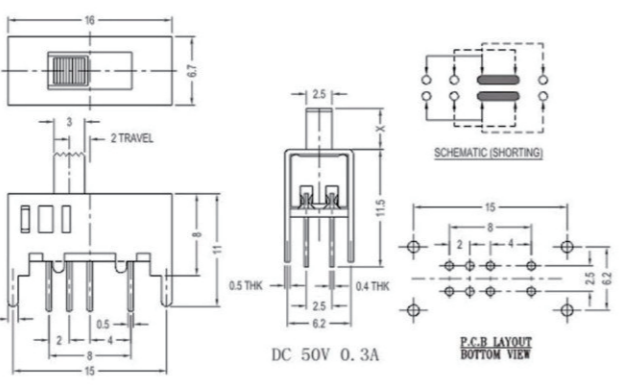
**SS22P03**




DC 50V 0.3A



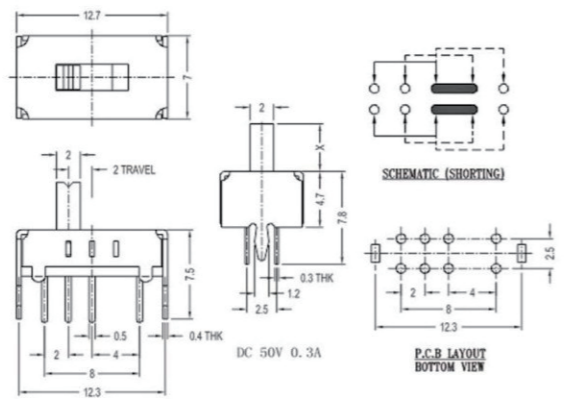
**SS23D03**




DC 50V 0.3A



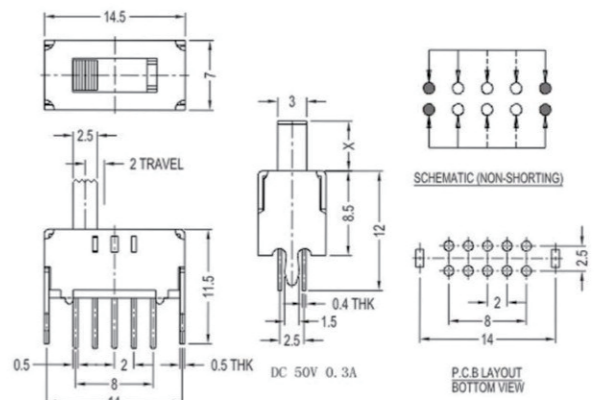
**SS23D06**




DC 50V 0.3A



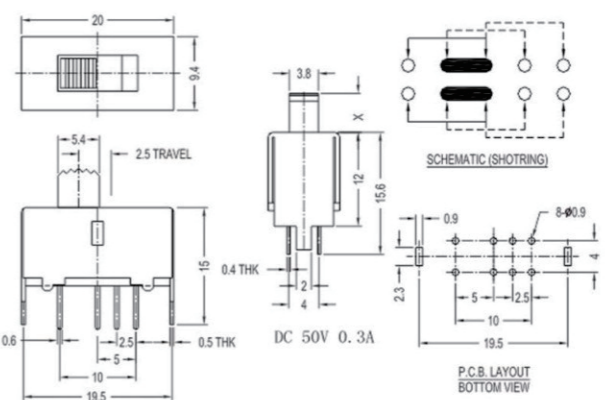
**SS23D28**




DC 50V 0.3A



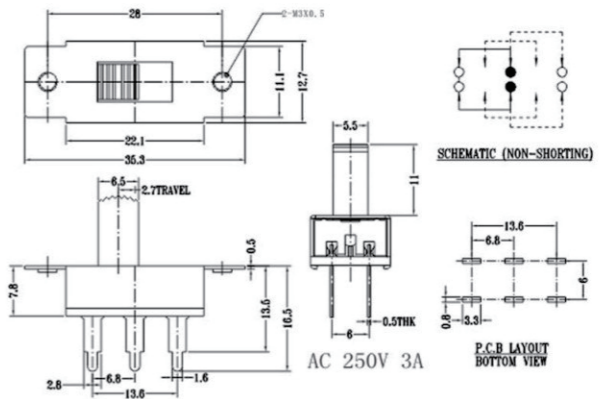
**SS23E01**



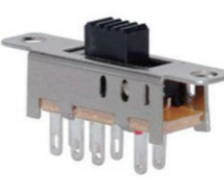
DC 50V 0.3A



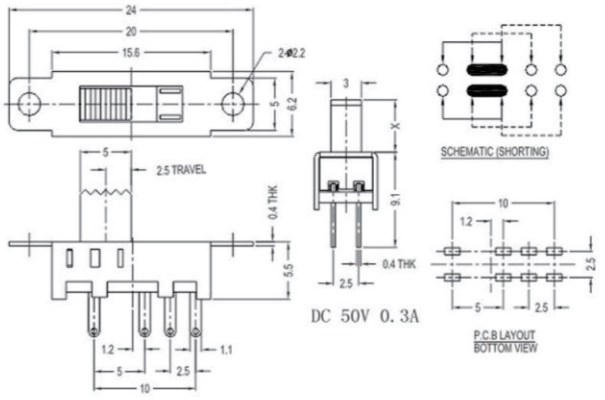
**SS23E09**



AC 250V 3A




**SS23E04**

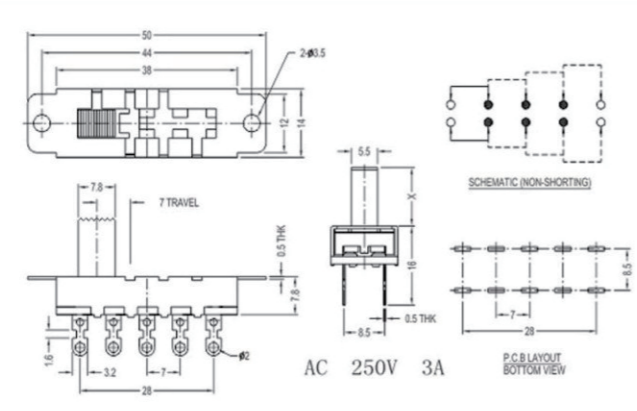


DC 50V 0.3A






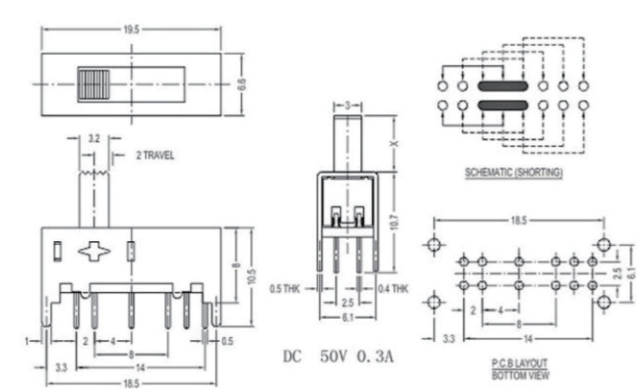
**SS24N01**




AC 250V 3A



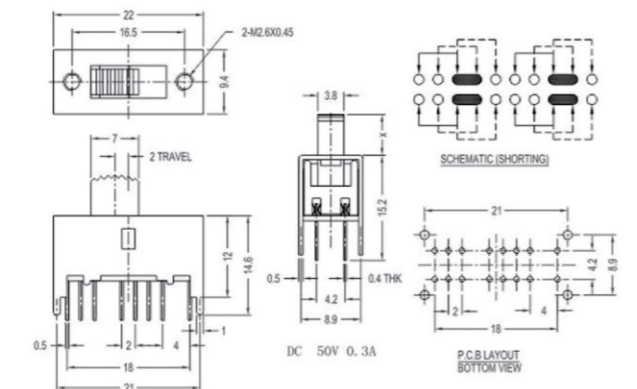
**SS25D01**




DC 50V 0.3A



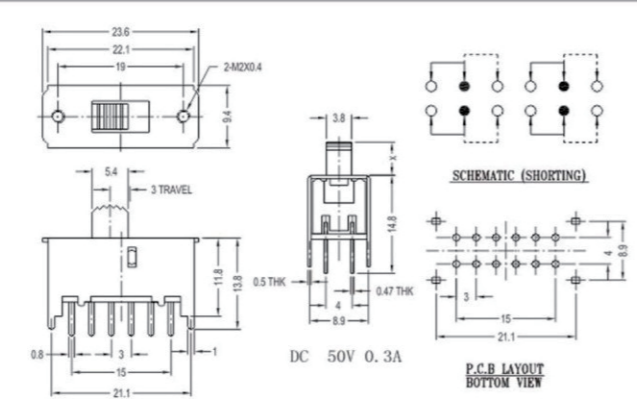
**SS43D01**




DC 50V 0.3A



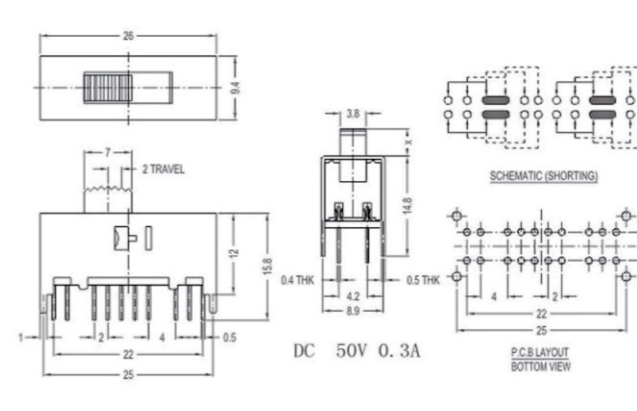
**SS42F01**




DC 50V 0.3A



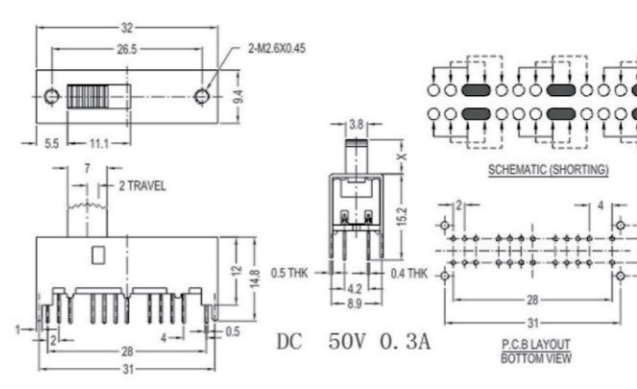
**SS44D04**




DC 50V 0.3A



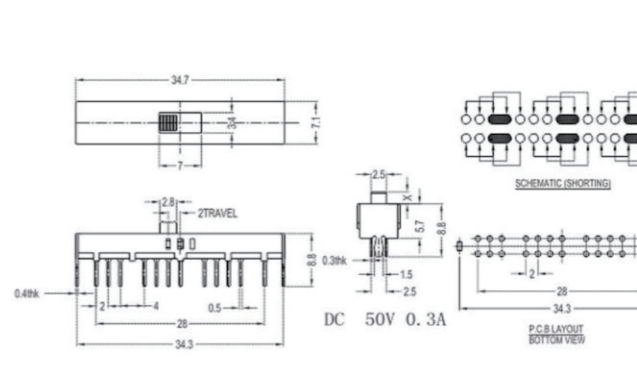
**SS63D01**




DC 50V 0.3A



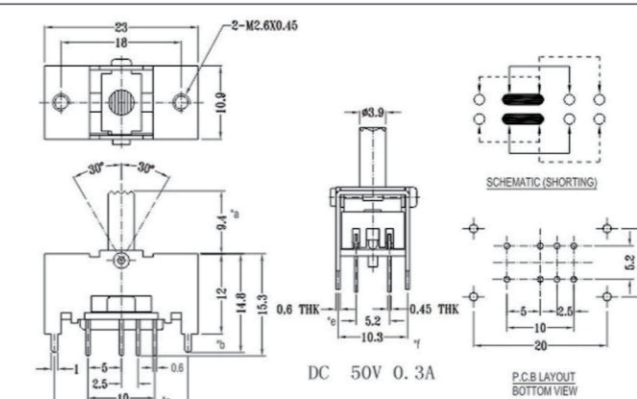
**SS63D08**



DC 50V 0.3A



**TS23E01**



DC 50V 0.3A