

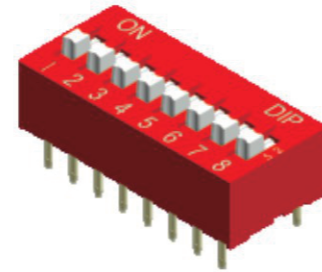
NDS Series

Pin pitch 2.54mm, Frame height 5.85mm, Through hole DIP Switch

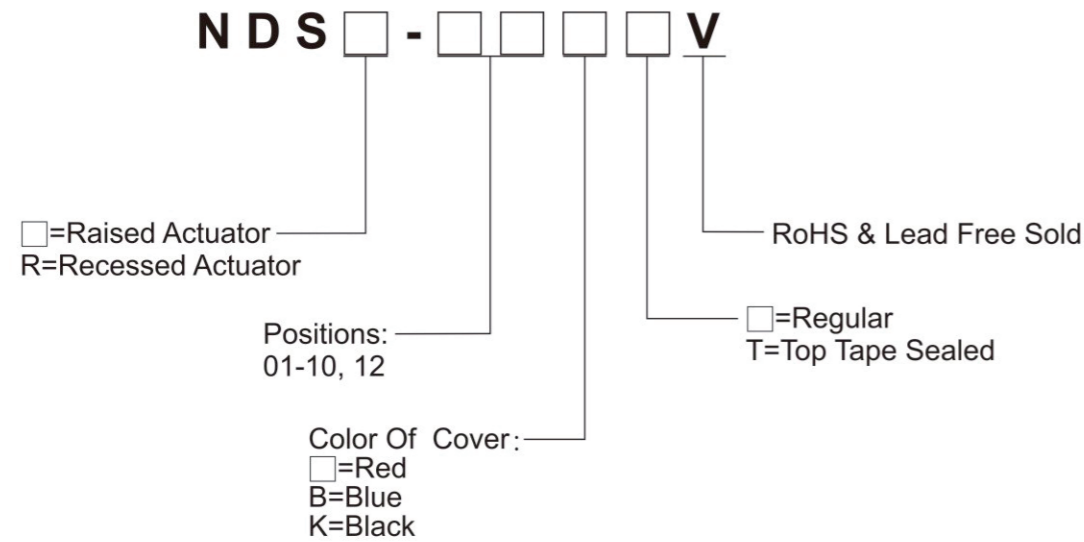


SPECIFICATION

- Contact Rating: 25mA, 24V DC
- Contact Resistance: 50mΩ max.
- Insulation Resistance: 100MΩ min.500V DC
- Dielectric Strength: 500V AC/1 minute
- Operating Force: 1000gf max.
- Travel: 2mm
- Operating Life: 2,000 cycles
- Operating Temp.: -40°C ~ +85°C
- Storage Temp.: -40°C~+85°C



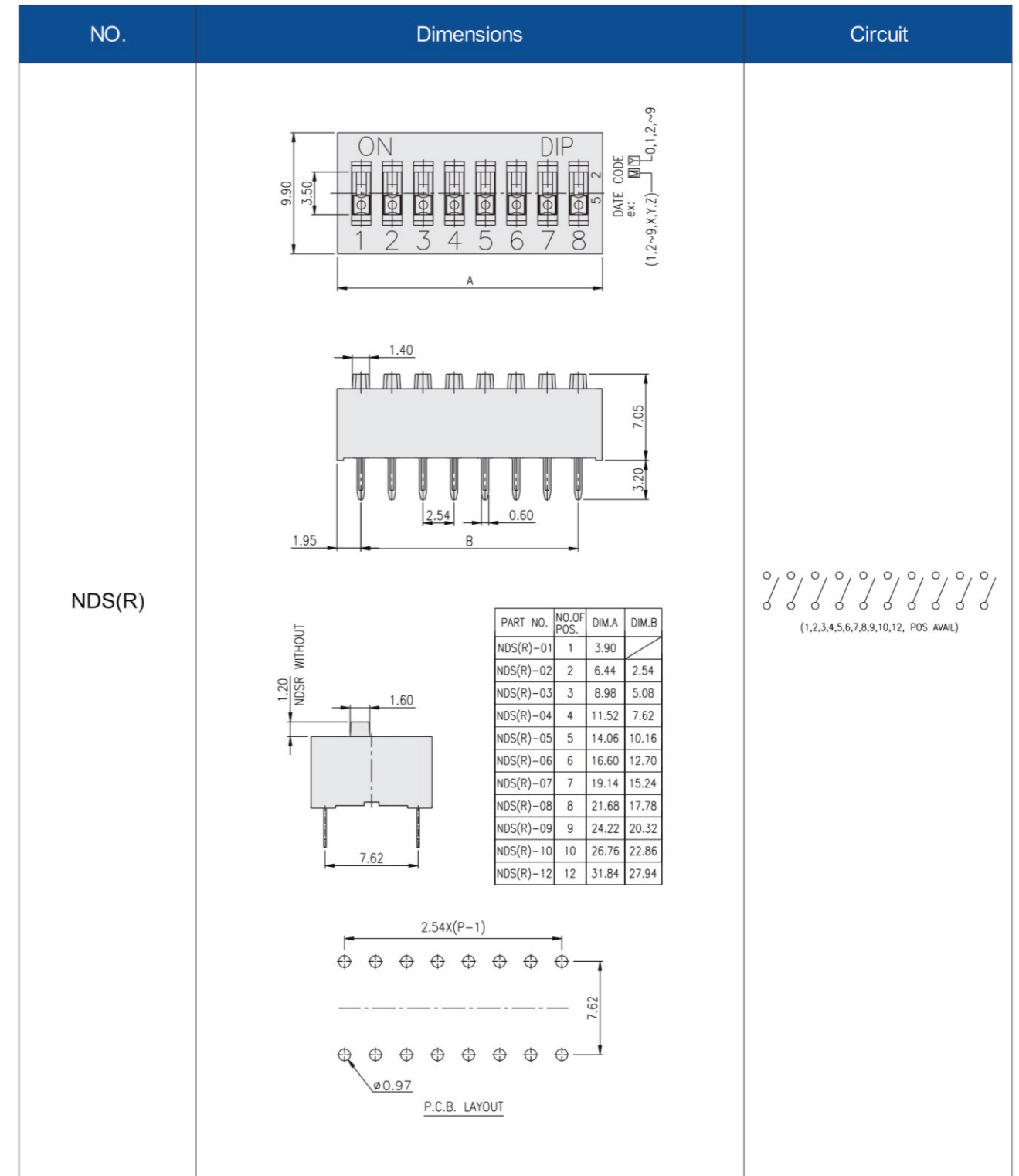
PART NUMBER



NDS Series

Pin pitch 2.54mm, Frame height 5.85mm, Through hole DIP Switch

DIAGRAM



拨码开关  
DIP Switch

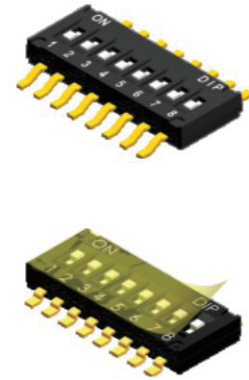
拨码开关  
DIP Switch

DHN(F) Series  
Pin pitch 1.27mm, Frame height 1.6mm DIP Switch

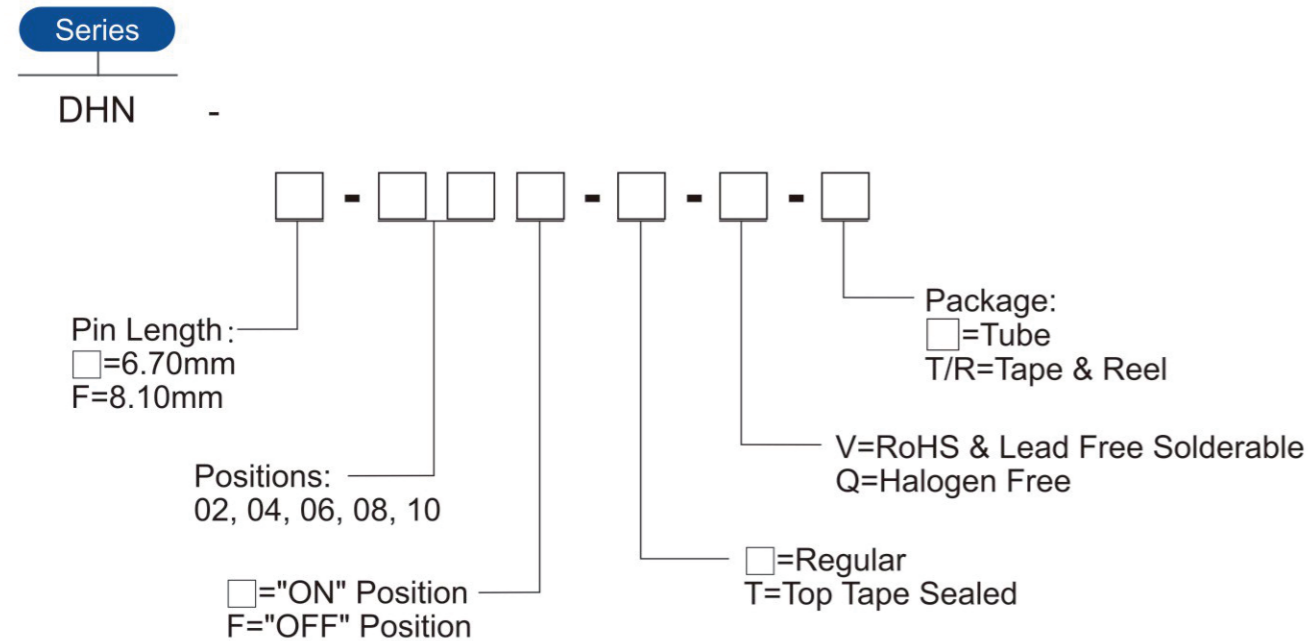


SPECIFICATION

- Contact Rating: 25mA, 24V DC
- Contact Resistance: 100mΩ max.
- Insulation Resistance: 100MΩ min.500V DC
- Dielectric Strength: 300V AC/1 minute
- Operating Force: 500gf max.
- Travel: 0.6mm
- Operating Life: 1,000 cycles
- Operating Temp.: -40°C ~ +85°C
- Storage Temp.: -40°C~+85°C



PART NUMBER



DHN(F) Series  
Pin pitch 1.27mm, Frame height 1.6mm DIP Switch

DIAGRAM

NO.	Dimensions	Circuit																		
DHN	<table border="1"> <thead> <tr> <th>PART NO.</th> <th>NO.OF POS</th> <th>DIM A</th> </tr> </thead> <tbody> <tr> <td>DHN-02</td> <td>2</td> <td>3.77</td> </tr> <tr> <td>DHN-04</td> <td>4</td> <td>6.31</td> </tr> <tr> <td>DHN-06</td> <td>6</td> <td>8.85</td> </tr> <tr> <td>DHN-08</td> <td>8</td> <td>11.39</td> </tr> <tr> <td>DHN-10</td> <td>10</td> <td>13.93</td> </tr> </tbody> </table>	PART NO.	NO.OF POS	DIM A	DHN-02	2	3.77	DHN-04	4	6.31	DHN-06	6	8.85	DHN-08	8	11.39	DHN-10	10	13.93	<p>(2,4,6,8,10 POS AVAIL)</p>
PART NO.	NO.OF POS	DIM A																		
DHN-02	2	3.77																		
DHN-04	4	6.31																		
DHN-06	6	8.85																		
DHN-08	8	11.39																		
DHN-10	10	13.93																		
DHNF	<table border="1"> <thead> <tr> <th>PART NO.</th> <th>NO.OF POS</th> <th>DIM A</th> </tr> </thead> <tbody> <tr> <td>DHNF-02</td> <td>2</td> <td>3.77</td> </tr> <tr> <td>DHNF-04</td> <td>4</td> <td>6.31</td> </tr> <tr> <td>DHNF-06</td> <td>6</td> <td>8.85</td> </tr> <tr> <td>DHNF-08</td> <td>8</td> <td>11.39</td> </tr> <tr> <td>DHNF-10</td> <td>10</td> <td>13.93</td> </tr> </tbody> </table>	PART NO.	NO.OF POS	DIM A	DHNF-02	2	3.77	DHNF-04	4	6.31	DHNF-06	6	8.85	DHNF-08	8	11.39	DHNF-10	10	13.93	<p>(2,4,6,8,10 POS AVAIL)</p>
PART NO.	NO.OF POS	DIM A																		
DHNF-02	2	3.77																		
DHNF-04	4	6.31																		
DHNF-06	6	8.85																		
DHNF-08	8	11.39																		
DHNF-10	10	13.93																		

DIP Switch 拨码开关

DIP Switch 拨码开关

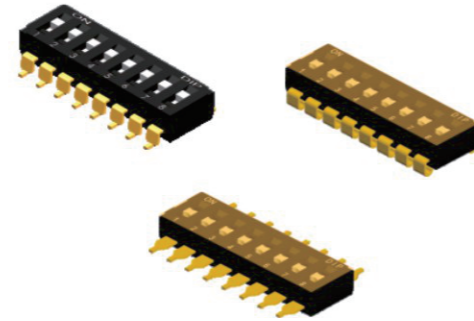
DM Series

Pin pitch 2.54mm, Frame height 3.0mm, SMT DIP Switch

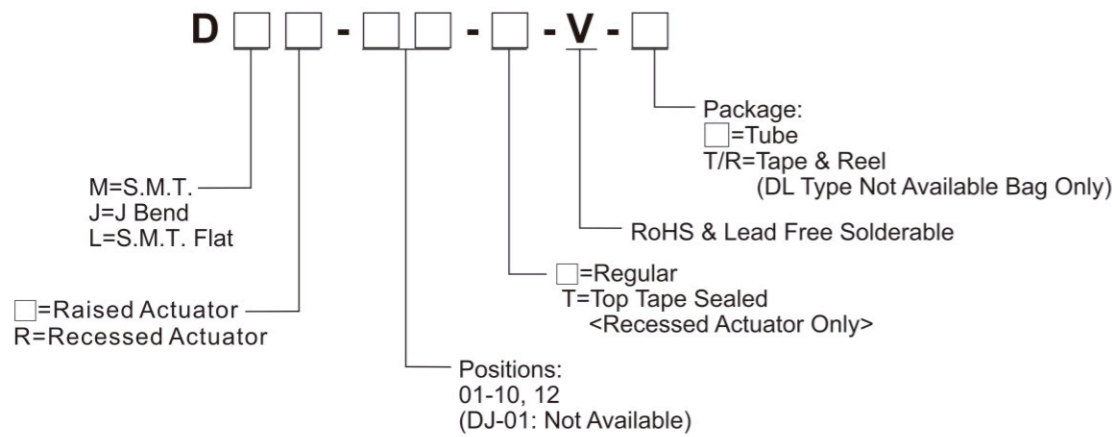


SPECIFICATION

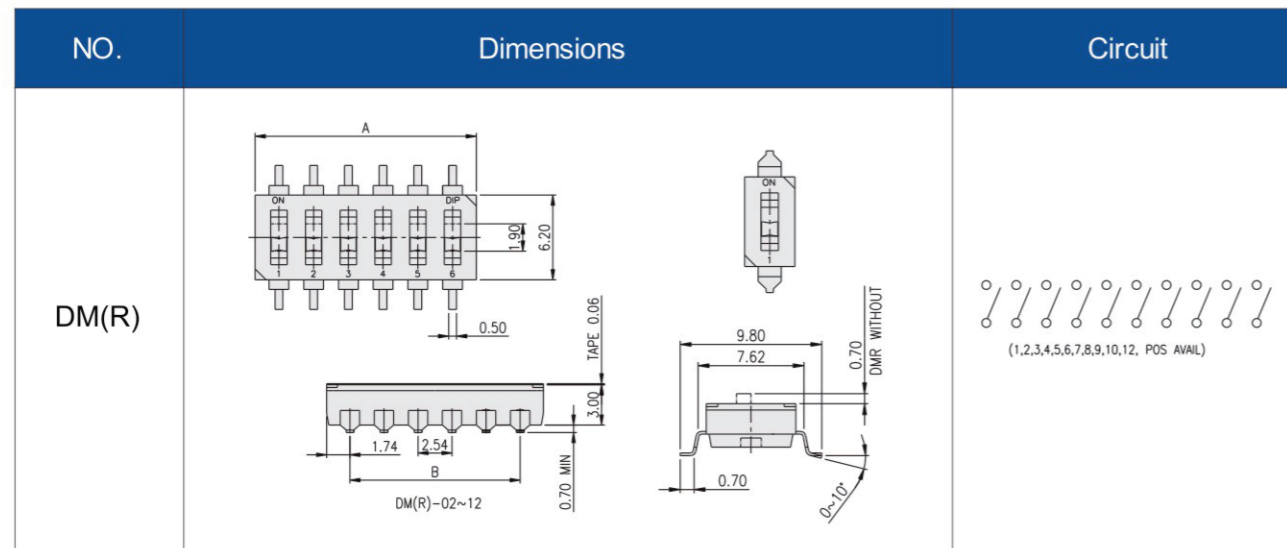
- Contact Rating: 25mA, 24V DC
- Contact Resistance: 50mΩ max.
- Insulation Resistance: 100MΩ min. 500V DC
- Dielectric Strength: 500V AC/1 minute
- Operating Force: 1,000gf max.
- Travel: 1mm
- Operating Life: 2,000 cycles
- Operating Temp.: -20°C ~ +85°C
- Storage Temp.: -40°C ~ +85°C



PART NUMBER



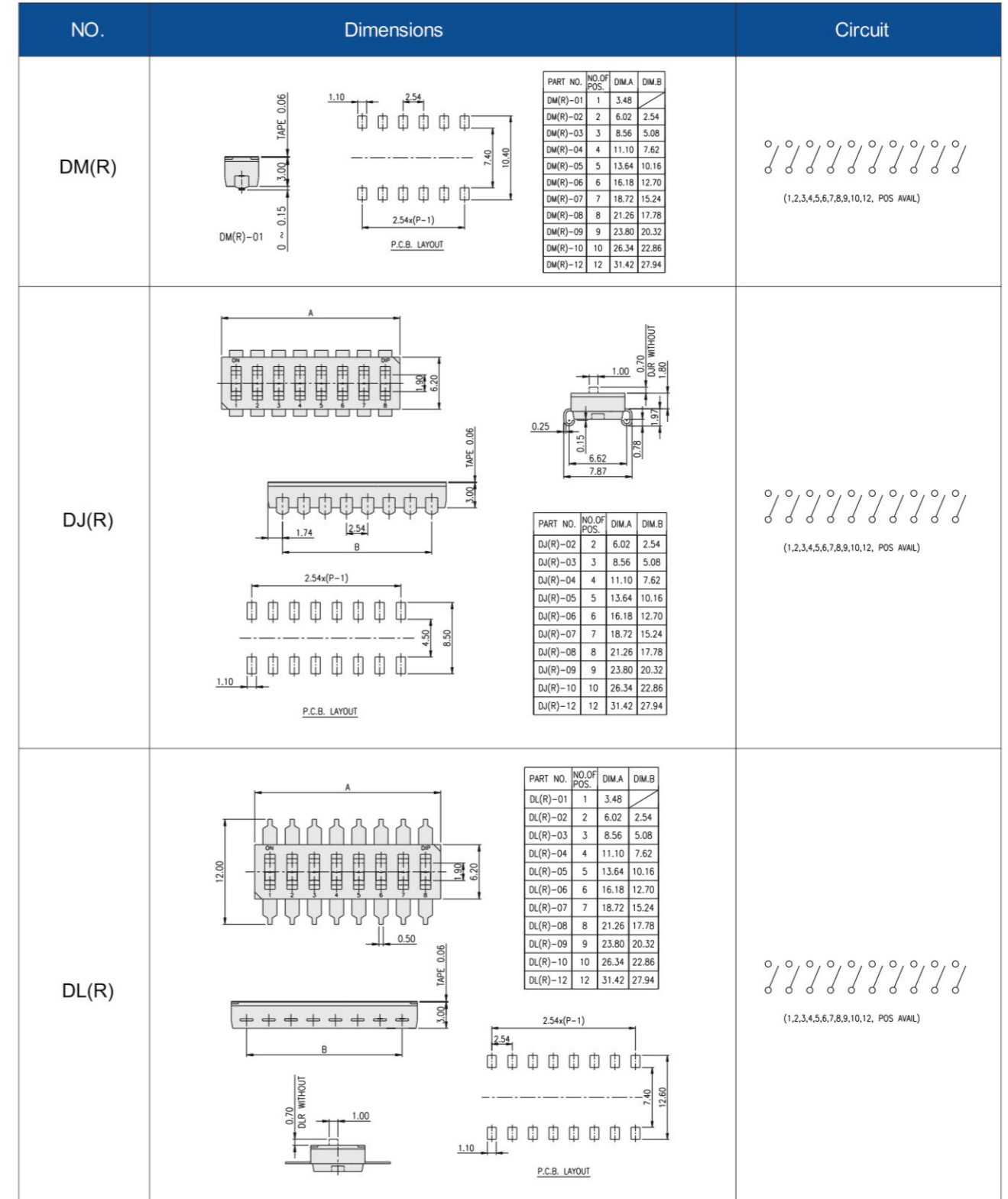
DIAGRAM



DM Series

Pin pitch 2.54mm, Frame height 3.0mm, SMT DIP Switch

DIAGRAM



拨码开关  
DIP Switch

拨码开关  
DIP Switch