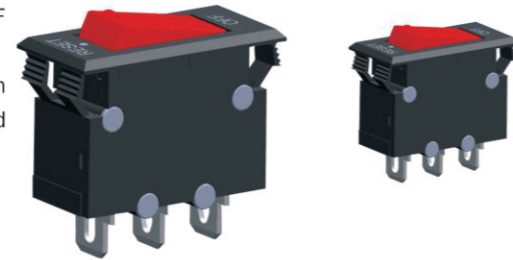


SS-001 Series
Rocker Switch / Circuit Breakers for Equipment

DESCRIPTIONS

- ◆SS-001 Series is a one-pole, thermal-trip, manual reset, supplementary protectors.
- ◆SS-001-T TRIP FREE design. Will trip open when overload, even when forcibly held on, the operating handle(electric contact) moves forcibly and positively to the OFF position, power close completely and no return.
- ◆SS-001-C TRIP FREE, CYCLING design. Will trip open when overload, even when forcibly held on, the operating handle (electric contact) moves forcibly and positively to the Off position, power will be connected when temperature drops.
- ◆Combines on/off switch and circuit protection on a single unit.
- ◆Splash proof cover is available.
- ◆SS-001R Circuit Breaker for Equipment only. TRIP-FREE, CYCLING design.
- ◆Tripping character is adjustable according to the different products.
- ◆Various switch knobs and customized design is available.



TYPICAL APPLICATIONS

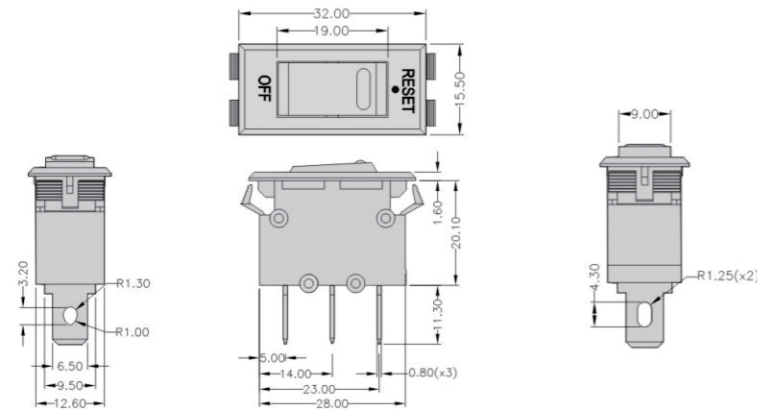
- ◆Motors,Power Supplies,Generators,Transformers,Instrumentation,Power Strips,Power Tools,UPS,Health Equipments,Food Processor.

INTERNATIONAL PATENTS

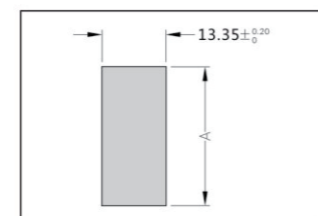
美国专利 USA: 5262748,6884955
台湾专利 TAIWAN: 83365,1313884
中国专利 CHINA: ZL922300682,321861

日本专利 JAPAN: 3000778,4628201
德国专利 GERMANY: G94038791

OUTLINE DIMENSIONS



SUGGESTED MOUNTING HOLES



THICKNESS	DIMENSION A
0.8~1.0	28.5 ^{+0.01} ₋₀
1.1~1.4	28.6 ^{+0.01} ₋₀
1.5	28.8 ^{+0.01} ₋₀

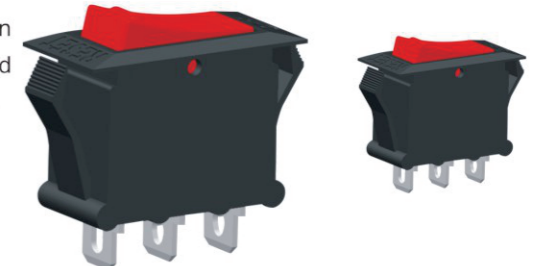
SAFETY APPROVALS

Approval Standard	File No.	Marks	Rated Current Range	Rated Voltage
UL,CUL standard 1077	E152074		2A-20A 3A-16A	125/250 VAC; 32 VDC
DIN EN 60934 (VDE 0642) : 2007-11 DIN EN 60934/A1: 2007	40028197		3A-16A	250 VAC
K mark compliant	SU02002-2001B		10A,15A	250 VAC
CCC mark compliant GB 17701-2008	2003010309102348		3A-16A	250 VAC
CE EN60934	ST1107010L		3A-16A	250 VAC

SS-002 Series
Rocker Switch / Circuit Breakers for Equipment

DESCRIPTIONS

- ◆SS-002 Series is a one-pole,thermal-trip, manual reset, supplementary protector.
- ◆SS-002 TRIP FREE, CYCLING design. Will trip open when overload, even when forcibly held on, the operating handle (electric contact) moves forcibly and positively to the OFF position, power will be connected when temperature drops.
- ◆Combines on/off switch and circuit protection on a single unit.
- ◆Splash proof cover is available.
- ◆Standard ratings :4 to 15 amps or customized customer design is available.
- ◆Snaps onto the same cutout as many common power switches.
- ◆Various colors, bodies, tope covers, and terminals.



TYPICAL APPLICATIONS

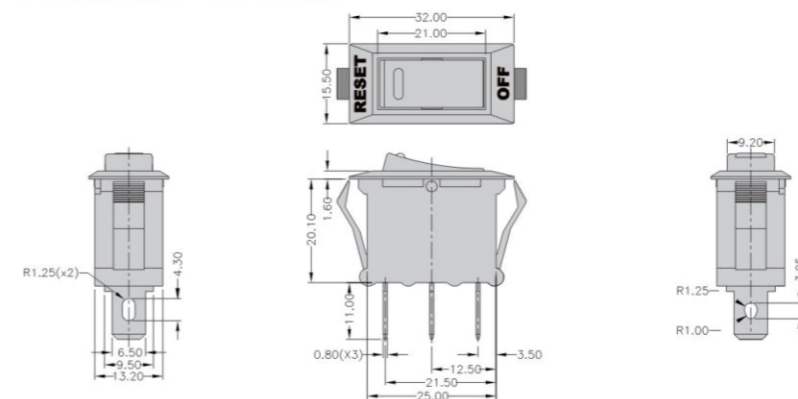
- ◆Motors,Power Supplies,Generators,Transformers,Instrumentation,Power Strips,Power Tools,UPS,Health Equipments,Food Processor.

INTERNATIONAL PATENTS

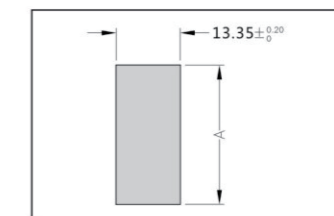
美国专利 USA: 5760672
德国专利 GERMANY: 298003716
日本专利 JAPAN: 3050472

台湾专利 TAIWAN: 133562
中国专利 CHINA: ZL982487614

OUTLINE DIMENSIONS



SUGGESTED MOUNTING HOLES



THICKNESS	DIMENSION A
0.8~1.0	28.4 ^{+0.01} ₋₀
1.1~1.4	28.8 ^{+0.01} ₋₀
1.5	29.0 ^{+0.01} ₋₀

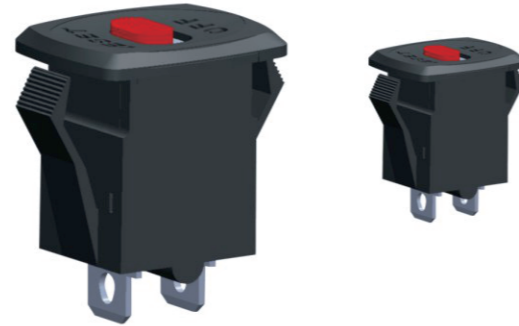
SAFETY APPROVALS

Approval Standard	File No.	Marks	Rated Current Range	Rated Voltage
UL,CUL standard 1077	E152074		4A-15A	125/250 VAC; 32 VDC
CCC mark compliant GB 17701-2008	2003010309102348		4A-15A	250 VAC
CSA C22.2 No.235-04 UL 1077(Sixth Edition)	211584		4A-15A	125 VAC

SS-003 Series
Sliding Switch / Circuit Breakers for Equipment

DESCRIPTIONS

- ◆ SS-003 Series is single pole, thermal-trip, manual reset, supplementary protector.
- ◆ SS-003 TRIP FREE, CYCLING design. Will trip open when overload, even when forcibly held on, the operating handle (electric contact) moves forcibly and positively to the OFF position, power will be connected when temperature drops.
- ◆ Combines sliding switch and circuit protection on a single unit.



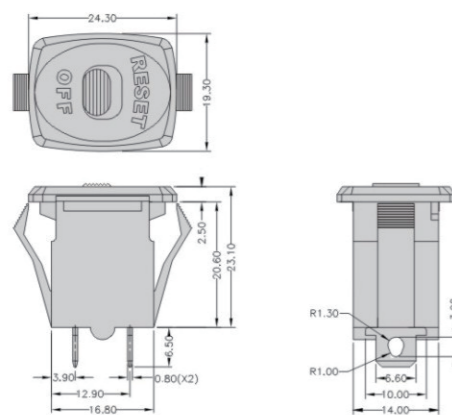
TYPICAL APPLICATIONS

- ◆ Motors, Power Supplies, Generators, Transformers, Instrumentation, Power Strips, Power Tools, UPS, Health Equipments, Food Processor.

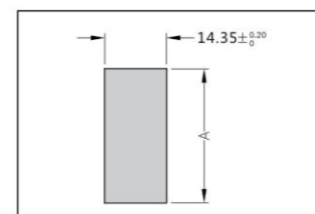
INTERNATIONAL PATENTS

- 美国专利 USA
- 台湾专利 TAIWAN
- 韩国专利 KOREA
- 中国专利 CHINA
- 日本专利 JAPAN

OUTLINE DIMENSIONS



SUGGESTED MOUNTING HOLES



THICKNESS	DIMENSION A
0.8~1.0	20.5 ^{+0.01} ₋₀
1.1~1.4	21.1 ^{+0.01} ₋₀
1.5	21.6 ^{+0.01} ₋₀

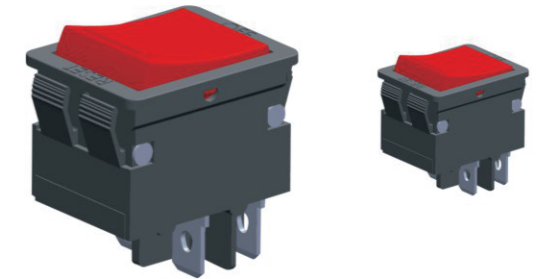
SAFETY APPROVALS

Approval Standard	File No.	Marks	Rated Current Range	Rated Voltage
UL,CUL standard 1077	E152074		3A~15A	125/250 VAC; 32 VDC
CSA C22.2No.235-04 UL 1077(Sixth Edition)	211584		3A~15A	125 VAC

SS-005 Series
Twin Poles Rocker Switch / Circuit Breakers for Equipment

DESCRIPTIONS

- ◆ SS-005 Series is Twinned Poles, thermal-trip, manual reset, supplementary protector.
- ◆ SS-005 TRIP FREE, CYCLING design. Will trip open on overload, even when forcibly held on, the operating handle (electric contact) moves forcibly and positively to the OFF position, power will be connected when temperature drops.
- ◆ Combines on/off switch and circuit protection on a single unit.
- ◆ Standard ratings :4 to 20 amps or customized customer design is available.



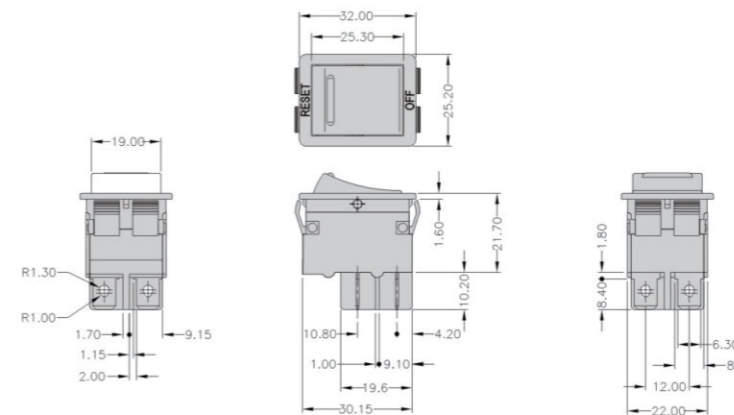
TYPICAL APPLICATIONS

- ◆ Motors, Power Supplies, Generators, Transformers, Instrumentation, Power Strips, Power Tools, UPS, Health Equipments, Food Processor.

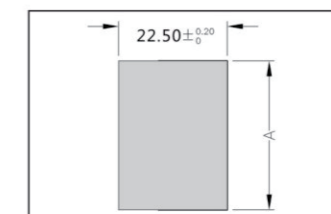
INTERNATIONAL PATENTS

- 中国专利 CHINA 596996
- 台湾专利 TAIWAN
- 韩国专利 KOREA 316526
- 德国专利 GERMANY 203 05 183.1

OUTLINE DIMENSIONS



SUGGESTED MOUNTING HOLES



THICKNESS	DIMENSION A
0.8~1.0	30.4 ^{+0.01} ₋₀
1.1~1.4	30.6 ^{+0.01} ₋₀
1.5	30.8 ^{+0.01} ₋₀

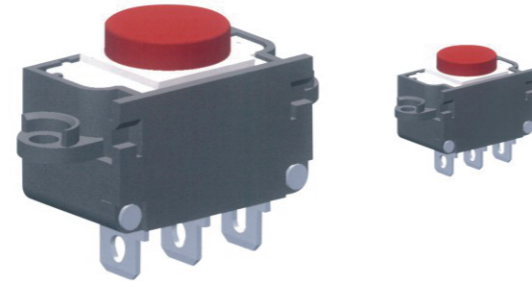
SAFETY APPROVALS

Approval Standard	Marks	Rated Current Range	Rated Voltage
UL,CUL standard 1077		4A~20A	125/250 VAC; 50 VDC
K mark compliant KOREA 03		15A	250 VAC
VDE EN 60934/A1:2007		4A~16A	250 VAC
CE En60934		4A~16A	250 VAC

SS-006 Series
Push Switch / Circuit Breakers for Equipment

DESCRIPTIONS

- ◆SS-006 Series is a one-pole, thermal-trip, manual reset, supplementary protector.
- ◆SS-006 TRIP FREE design. Will trip open when overload, even when forcibly held on, the operating handle(electric contact) moves forcibly and positively to the OFF position, power close completely and no return.
- ◆Combines push switch and circuit protection on a single unit.
- ◆Standard ratings :4 to 16 amps or customized customer design is available.
- ◆Tripping character is adjustable according to the different products.



TYPICAL APPLICATIONS

- ◆Motors,Power Supplies,Generators,Transformers,Instrumentation,Power Strips,Power Tools,UPS,Health Equipments,Food Processor.

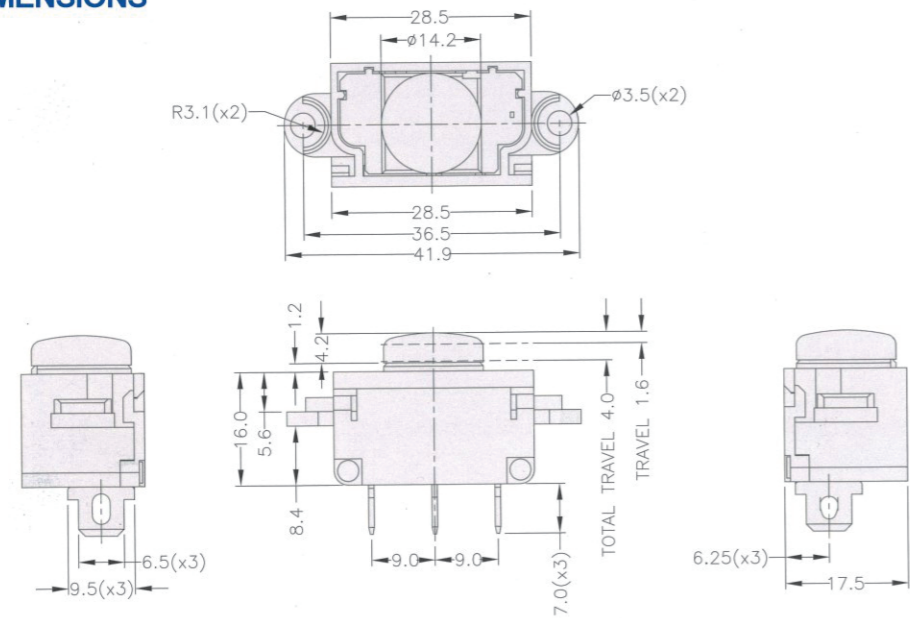
INTERNATIONAL PATENTS

美国专利 USA
中国专利 CHINA

台湾专利 TAIWAN
日本专利 JAPAN

韩国专利 KOREA
德国专利 GERMANY:20308751.8

OUTLINE DIMENSIONS



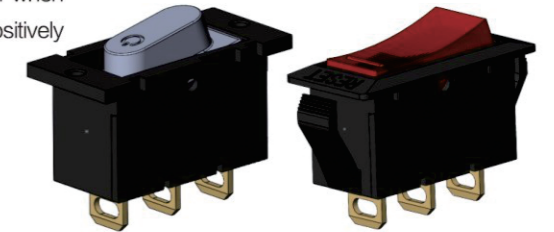
SAFETY APPROVALS

Approval Standard	File No.	Marks	Rated Current Range	Rated Voltage
UL,CUL standard 1077	E152074		4A-16A	125/250 VAC; 32 VDC
CCC mark compliant GB 17701-2008	2010010307429602		4A-16A	250 VAC
TUV EN 60934:2007-02	B100152529008		4A-16A	250 VAC

SS-007 Series

DESCRIPTIONS

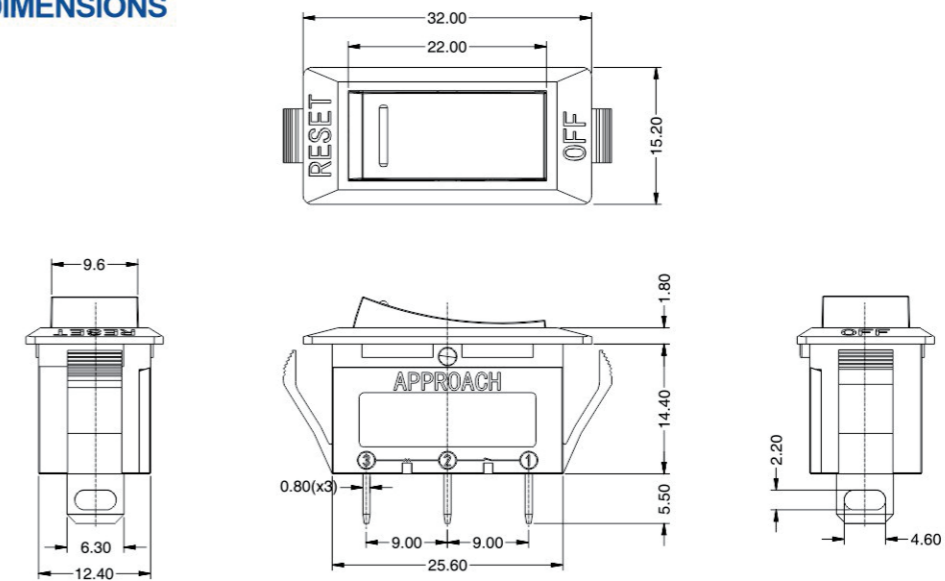
- ◆SS-007 Series is a one-pole, thermal-trip, manual reset, supplementary protector.
- ◆SS-007 TPIIP FREE,CYCLING design. Will trip open when overload ,even when forcibly held on, the operating andle (electrical contacts) moves forcibly and positively to the OFF position, power will be connected when temperature drops.
- ◆Combines ON/OFF switch and circuit protection on a single unit.
- ◆Splash proof cover is available.
- ◆Snaps onto the same cutout as many common power switches.



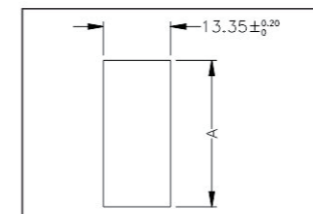
TYPICAL APPLICATIONS

- ◆Motors,Power Supplies,Generators,Transformers,Instrumentation,Power Strips,Power Tools,UPS,Health Equipments,Food Processor.

OUTLINE DIMENSIONS



SUGGESTED MOUNTING HOLES



THICKNESS	DIMENSION A
0.8~1.0	28.4 ^{+0.01} _{-0.1}
1.1~1.4	28.8 ^{+0.01} _{-0.1}
1.5	29.0 ^{+0.01} _{-0.1}

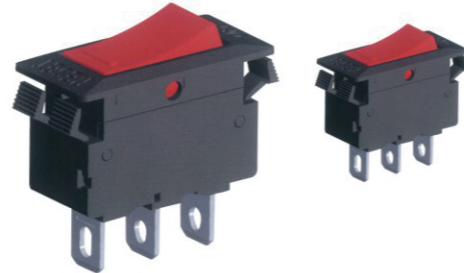
SAFETY APPROVALS

Approval Standard	File No.	Marks	Rated Current Range	Rated Voltage
UL,CUL standard 1077	E152074		3A-20A	125/250 VAC; 32 VDC
CCC mark compliant GB 17701-2008	CQC2017010307034597		3A-20A	250 VAC

SS-009 Series
Rocker Switch /Circuit Breakers for Equipment

DESCRIPTIONS

- ◆ SS-009 Series is a one-pole,thermal-trip,manual reset, supplementary protector.
- ◆ SS-009 TRIP FREE, CYCLING design. Will trip open when overload, even when forcibly held on, the operating angle (electric contact) moves forcibly and positively to the Off position, power will be connected when temperature drops.
- ◆ Combines on/off switch and circuit protection on a single unit.
- ◆ Splash proof covers available.
- ◆ Snaps onto the same cutout as many common power switches.



TYPICAL APPLICATIONS

- ◆ Motors,Power Supplies,Generators,Transformers,Instrumentation,Power Strips,Power Tools,UPS,Health Equipments,Food Processor.

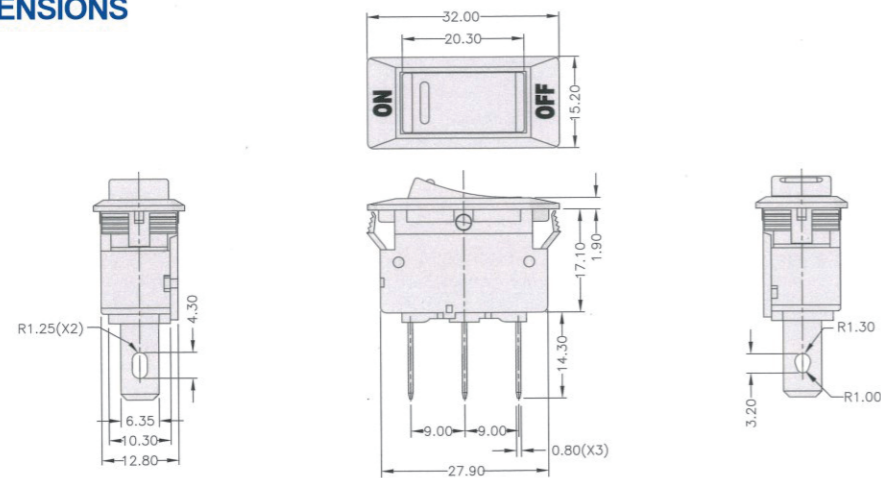
INTERNATIONAL PATENTS

美国专利 USA:6072381
中国专利 ZL99201533.2

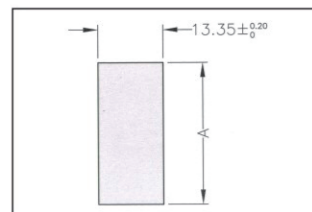
日本专利 JAPAN3063680

德国专利 29907707.1

OUTLINE DIMENSIONS



SUGGESTED MOUNTING HOLES



THICKNESS	DIMENSION A
0.78~1.25	28.5 ^{+0.01} ₋₀
1.25~2.0	28.6 ^{+0.01} ₋₀
2.0~3.0	28.8 ^{+0.01} ₋₀

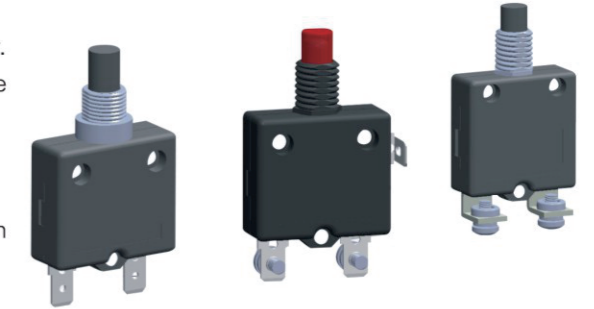
SAFETY APPROVALS

Approval Standard	File No.	Marks	Rated Current Range	Rated Voltage
UL,CUL standard 1077	E152074		5A-20A; 5A-16A	125/250 VAC; 32 VDC
CCC mark compliant GB 17701-2008	2010010307429608		5A-20A	250 VAC

BC Series

DESCRIPTIONS

- ◆ BC series is a compact, single pole, push to reset thermal circuit breaker.
- ◆ BC series simple, exact design. Can provide a safe and low expense the circuit protection.
- ◆ Optional protective boot.
- ◆ BC series offers a wide range of amperage ratings from 0.5A to 70A.
- ◆ Unique circuit breaker illuminated design, LED lamp of push-button indicated circuit breaker under overload condition.



TYPICAL APPLICATIONS

- ◆ Motors,Power Supplies,Generators,Transformers,Instrumentation,Power Strips,Power Tools,UPS,Health Equipments,Food Processor.

INTERNATIONAL PATENTS

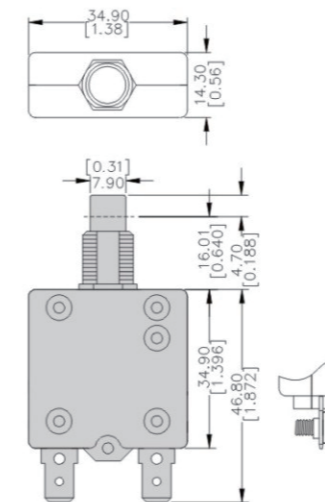
台湾专利TAIWAN

美国专利USA

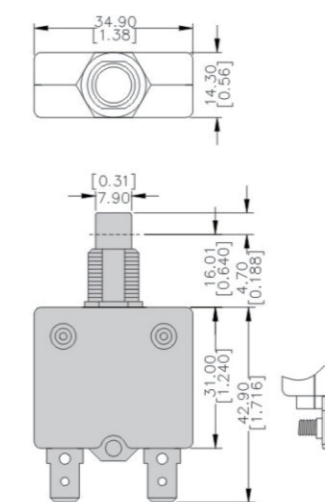
中国专利CHINA

OUTLINE DIMENSIONS

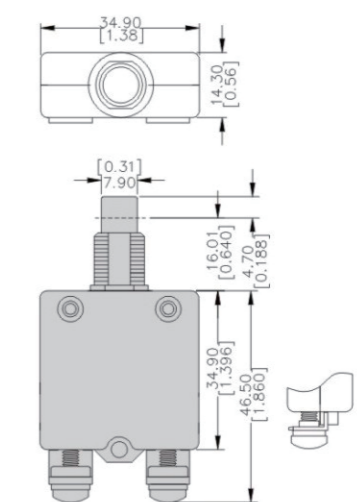
1.Low-Amperage Models 低安培数机种 (0.5A to 4.5A) BC01 BC21 Series



2.Middle-Amperage Models 中安培数机种 (5A to 40A) BC00 BC20 Series



3.High-Amperage Models 高安培数机种 (40A to 70A) BC08 BC28 Series



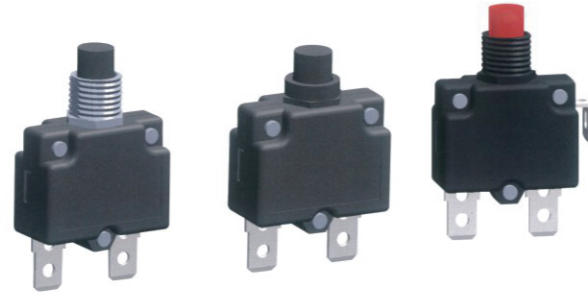
SAFETY APPROVALS

Approval Standard	Marks	Rated Current Range	Rated Voltage
UL,CUL standard 1077		0.5A-50A; 0.5A-50A 51A-70A	125/250 VAC; 50 VDC 125VAC
VDEEN 80934/A1:2007		0.5A-25A	250 VAC; 50 VDC
CCC mark compliant GB 17701-2008		0.5A-50A	250 VAC
CSA C22.2No.235-04 UL 1077(Sixth Edition)		5A-30A	125/250 VAC
CE EN60934		0.5A-25A	250 VAC; 50VDC

BD Series

DESCRIPTIONS

- ◆BD series is a compact, single pole, push to reset over current supplementary protectors.
- ◆BD series simple, exact design. Can be provided a safe and low expense the circuit protection.
- ◆Optional protective boot.
- ◆BD series offer a wide range of amperage ratings from 3 to 20 amp.
- ◆Unique circuit breaker illuminated design, LED lamp of push-button lighted indication circuit breaker overload.



TYPICAL APPLICATIONS

- ◆Motors,Power Supplies,Generators,Transformers,Instrumentation,Power Strips,Power Tools,UPS,Health Equipments,Food Processor.

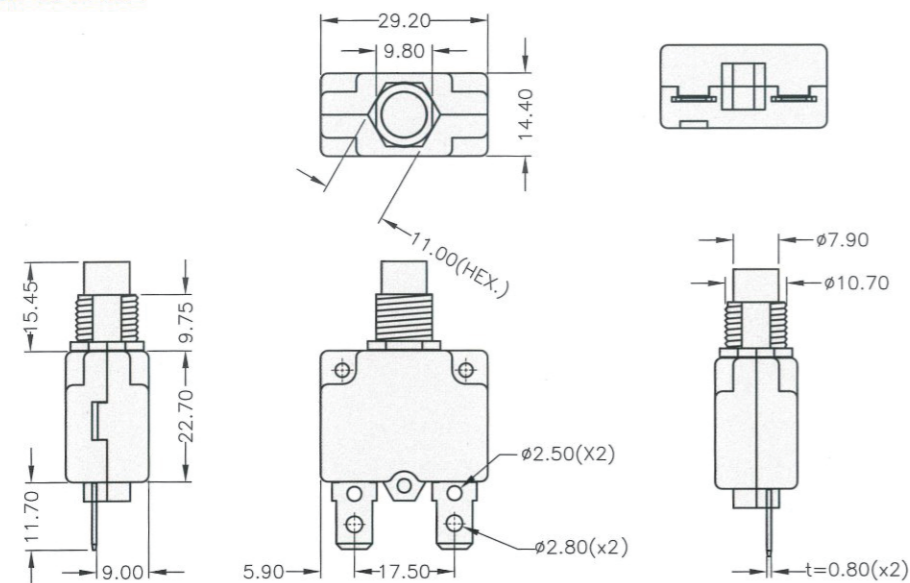
INTERNATIONAL PATENTS

台湾专利 TAIWAN

美国专利 USA

中国专利 CHINA

OUTLINE DIMENSIONS



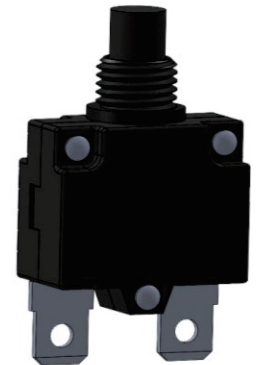
SAFETY APPROVALS

Approval Standard	File No.	Marks	Rated Current Range	Rated Voltage
UL,CUL standard 1077	E152074		3A-20A	125/250 VAC; 50 VDC
DIN EN 60934(VDE 0642):2007-11 EN 60934:2001+A1:2007	40031585		3A-16A	250 VAC; 50 VDC
CCC mark compliant GB 17701-2008	2010010307429609		3A-20A	250 VAC
CSA C22.2No.235-04 UL 1077(Sixth Edition)	211584		3A-15A	125/250 VAC
CE EN60934	40031585		3A-16A	250 VAC; 50VDC

BD Min Series

DESCRIPTIONS

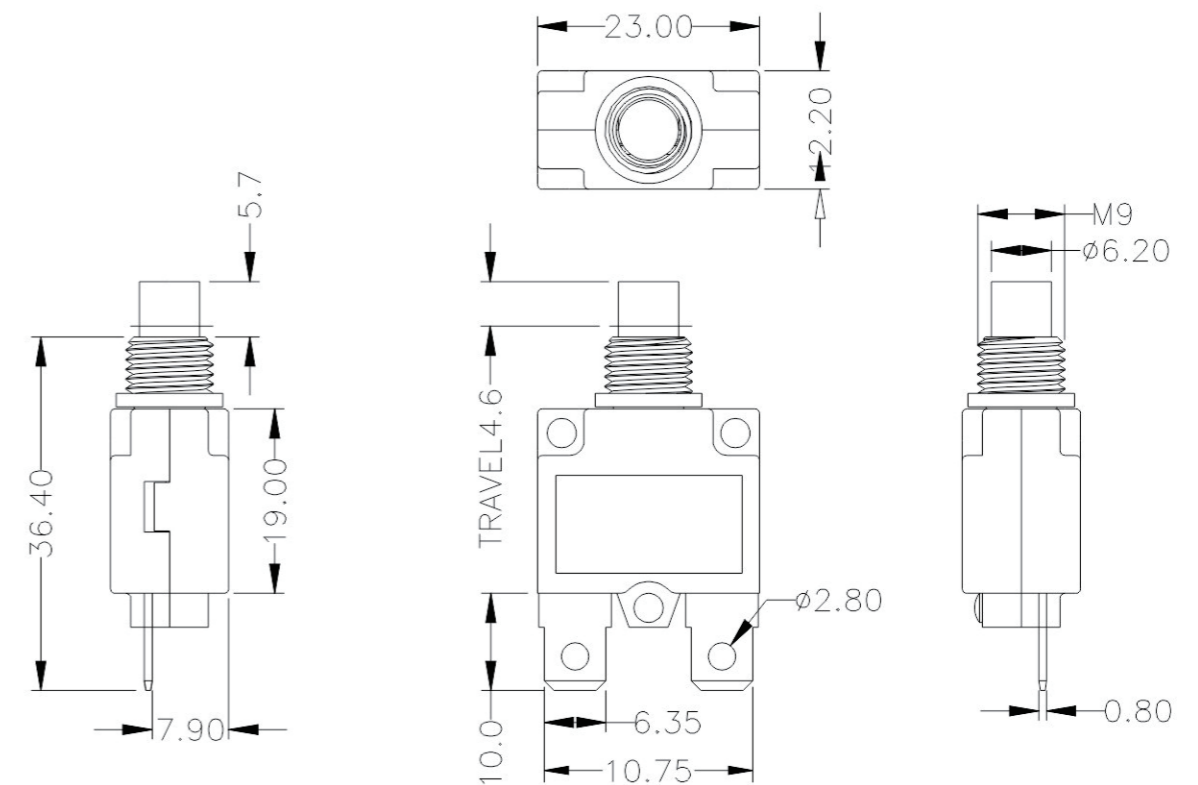
- ◆BD min is a compact,single pole,push to reset over current supplementary protectors.
- ◆BD min simple, exact design. Can be provided a safe and low expense the circuit protection.
- ◆Optional protective boot.
- ◆BD min offer a wide range of amperage ratings from 3 to 20 amp.



TYPICAL APPLICATIONS

- ◆Motors,Power Supplies,Generators,Transformers,Instrumentation,Power Strips,Power Tools,UPS,Health Equipments,Food Processor.

OUTLINE DIMENSIONS



SAFETY APPROVALS

Approval Standard	File No.	Marks	Rated Current Range	Rated Voltage
UL,CUL standard 1077	E152074		3A-20A	125/250 VAC; 32 VDC
CCC mark compliant GB 17701-2008	CQC2017010307034596		3A-20A	250 VAC