

Code Explanation 型号说明 FOR SERIES: PS

PS — 1 1 F 03 — G 5 — L — N — 100gf

Series 系列	PS	Throw 掷(停档的位数)	1 1	LNOB 胶柄	G 5	Timing (Opingal) 切换类别	L	Operating Force 操作力度	100gf
Pole 刀(接码的个数)		TRAVELLING 行程	C D E F G H	Knob Height 柄长度		S NS ()		60gf to 800gf	
			1.5 2.0 2.5 3.0 3.5 4.0			SHORTING NON-SHORTING NON-SPECIFIED		60克 到 800克	
			I J K L N P	Operating Mode 操作模式					
			4.5 5.0 5.5 6.0 7.0 8.0	Non-LOCK LOCK					
				无锁 无锁					
Sequential NO. 排列序号									

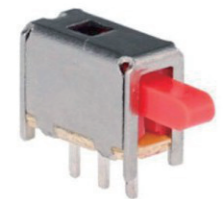
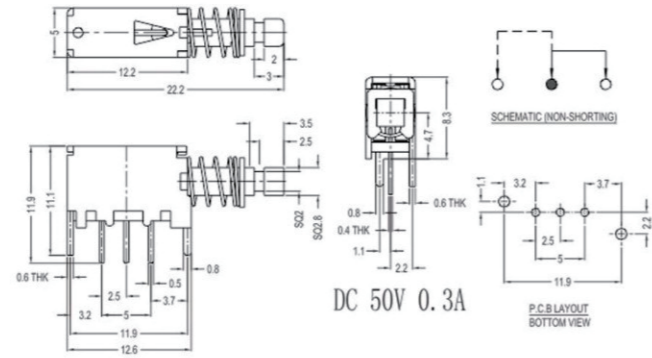
GENERAL SPECIFICATION 一般规格

FOR SERIES: PS

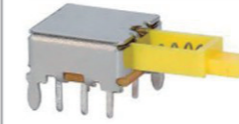
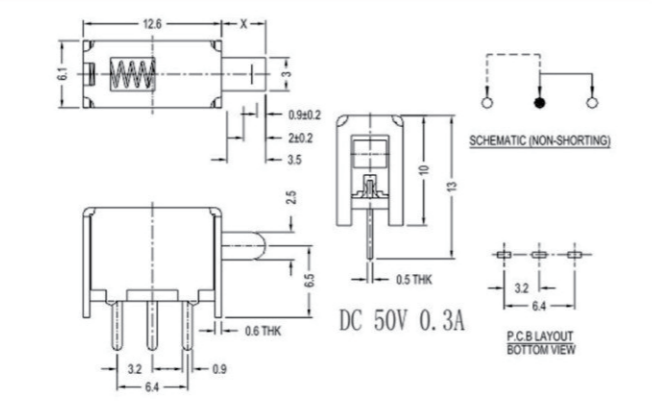
RATING 使用功率	As Per Individual Specification
CONTACT RESISTANCE 接触电阻	100mΩ Max.
INSULATION RESISANCE 绝缘电阻	100MΩ at 500V DC
WITHSTAND VOLGE 抵抗电压	AC 500V for 1 minute
OPERATING FORCE 操作力	As Per Individual Specification
SWITCHING LIFE 使用寿命	10,000 cycles min. Unlonading 15-18cycles per min.



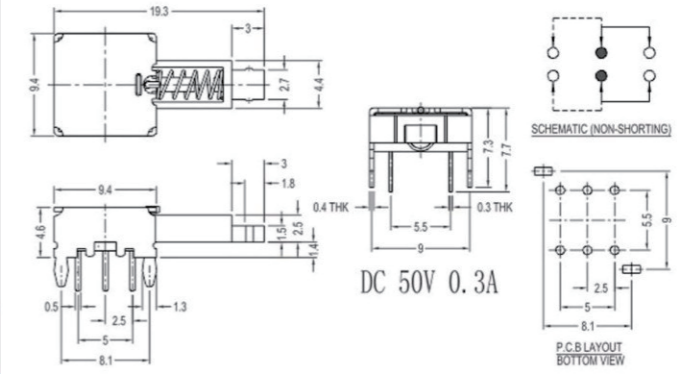
PS12E05 (LOCKED)



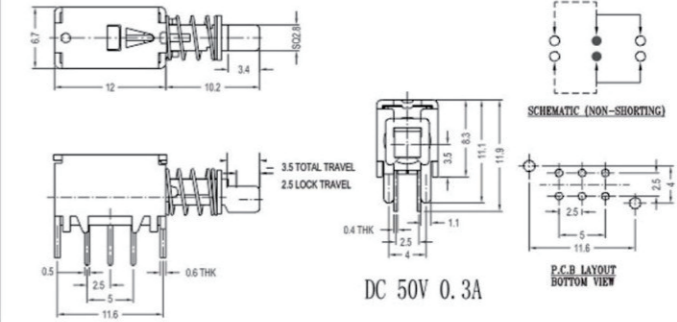
PS12F03



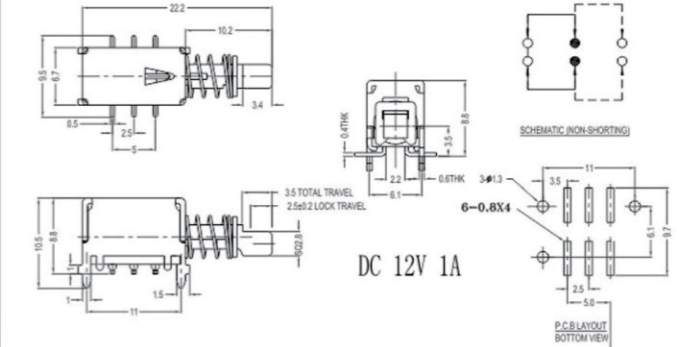
PS22E02 (LOCKED)
PS22E03 (NON-LOCKED)



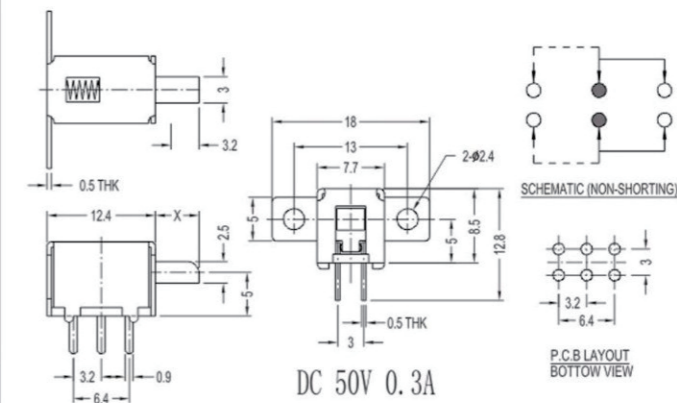
PS22E051



PS22E081



PS22F04



按键开关
Push Switch

按键开关
Push Switch

PS22F06 (LOCKED)
PS22F12 (NON-LOCKED)

DC 50V 0.3A

Technical drawings include: 3D perspective view, side view with dimensions (12.6, 12.9, 13.3, 1.2, 3, 0.4 THK, 25.5, 20, 24.13, 12, 6.4, 12, 1.2, 3, 0.4 THK), schematic (NON-SHORTING), and P.C.B LAYOUT BOTTOM VIEW.

PS22F05 (LOCKED)
PS22F07 (NON-LOCKED)

DC 50V 0.3A

Technical drawings include: 3D perspective view, side view with dimensions (12.5, 12.9, 13.3, 1.2, 3, 0.4 THK, 25.5, 20, 24.13, 12, 6.4, 12, 1.2, 3, 0.4 THK), schematic (NON-SHORTING), and P.C.B LAYOUT BOTTOM VIEW.

PS22E05 (LOCKED)
PS22E15 (NON-LOCKED)

DC 50V 0.3A

Technical drawings include: 3D perspective view, side view with dimensions (6.7, 12, 10.2, 3.5, 2.5, 0.4 THK, 1.1, 11.9, 0.5, 2.5, 0.6 THK, 11.6), schematic (NON-SHORTING), and P.C.B LAYOUT BOTTOM VIEW.

PS22I49

DC 50V 0.3A

Technical drawings include: 3D perspective view, side view with dimensions (18, 16, 7.9, 5, 4.5, 11.3, 1.5, 0.8, 1.8, 7.2, 16.3, 0.5 THK, 3), schematic (NON-SHORTING), and P.C.B LAYOUT BOTTOM VIEW.

PS22E08

DC 50V 0.3A

Technical drawings include: 3D perspective view, side view with dimensions (13, 22.2, 10.2, 8.5, 6.7, 0.5, 3.5, 2.5, 5, 10.5, 11, 0.4 THK, 2.2, 0.6 THK, 3.5, 2.5, 0.2, 11.9, 0.6 THK, 1.1, 11.9, 0.5, 2.5, 0.6 THK, 11.6), schematic (NON-SHORTING), and P.C.B LAYOUT BOTTOM VIEW.

PS22F93

DC 50V 0.3A

Technical drawings include: 3D perspective view, side view with dimensions (12.2, 7.7, 10, 17.6, 5, 2.5, 6.2, 9.4, 12.6, 15.5, 0.5 THK, 3, 0.5 THK), schematic (NON-SHORTING), and P.C.B LAYOUT BOTTOM VIEW.

PS22F02 (LOCKED)
PS22F03 (NON-LOCKED)


DC 50V 0.3A

Technical drawings include: 3D perspective view, side view with dimensions (7.7, 12.2, 12.7, 13.3, 13, 10, 11.6, 6.4, 11.6, 3.2, 3, 0.4 THK, 1.2, 3, 0.4 THK, 1.2, 3, 0.4 THK, 11.6, 6.4, 11.6, 3.2, 3, 0.4 THK, 1.2, 3, 0.4 THK), schematic (NON-SHORTING), and P.C.B LAYOUT BOTTOM VIEW.

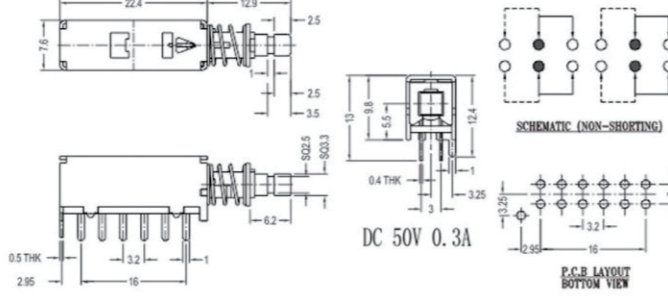
PS22I48

DC 50V 0.3A


Technical drawings include: 3D perspective view, side view with dimensions (18, 16, 7.9, 5, 4.5, 16.3, 11.3, 1.5, 0.8, 1.8, 7.2, 16.3, 0.5 THK, 3), schematic (NON-SHORTING), and P.C.B LAYOUT BOTTOM VIEW.



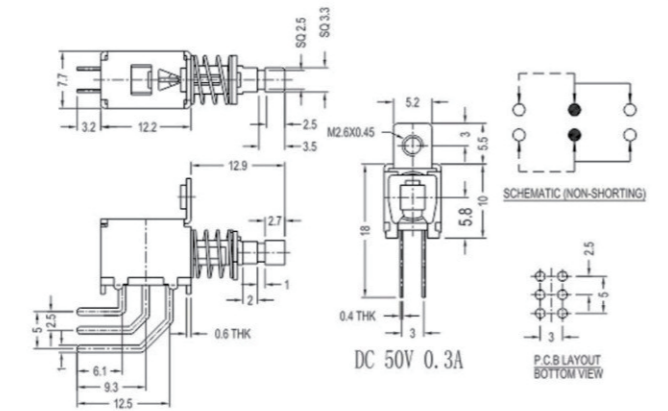
**PS42F42
PS42F43**




DC 50V 0.3A



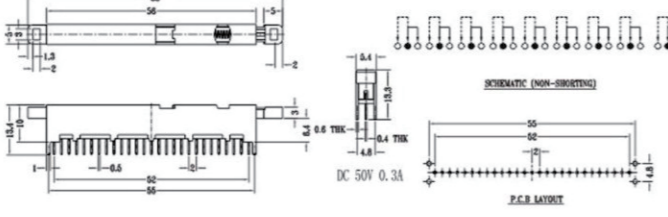
**PS22F25 (LOCKED)
PS22F65 (NON-LOCKED)**




DC 50V 0.3A



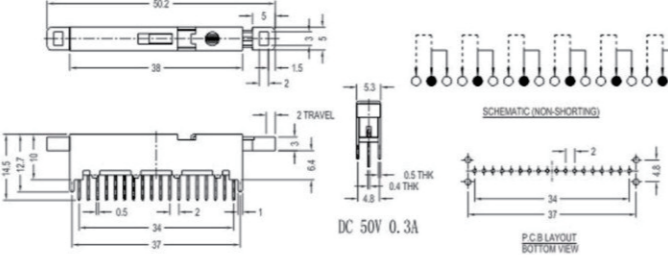
PS92D01



DC 50V 0.3A



PS62D01




DC 50V 0.3A

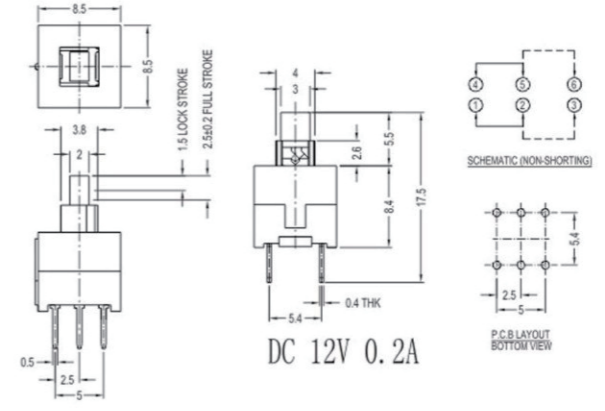
表面加工处理工艺 (部分)

01				ON	F1	A	06			clr CMOS
02				OFF	F2	B	07			RESET
03	OK				F3	C	08			
04				BLANK	F4	D	09			
05							10			


工艺流程: 表面清洗—打底油—上银/黑油—激光雕刻—亮油



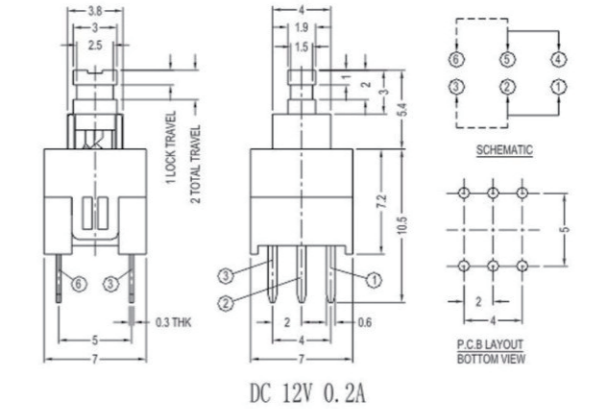
**PB-22E06
PB-22E16**




DC 12V 0.2A



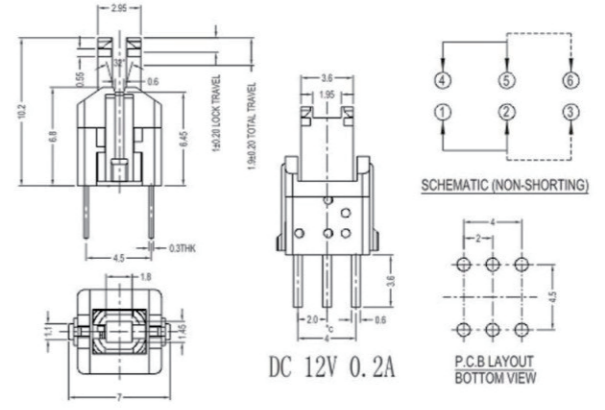
**PB-22E27
PB-22E27-T**



DC 12V 0.2A



TP6041C



DC 12V 0.2A

各类帽子符号:

(可按客户要求定制图案)



PB-22E69

DC 12V 0.2A

PB-22E68

DC 12V 0.2A

PB-22 E52

DC 12V 0.2A

Code Explanation 型号说明
FOR SERIE MK MS

MK - 1 - 2 - C - 08 - G2

Series 系列
MK Mini 侧拨
MS Mini 正拨

Knob Height 拨柄长度 (G2 代表 2.0mm 长度)

Sequential No. 排列序号

Pole 电路组数 (1代表一组线路)

TRAVELLING 行程 (mm)

C	D	E	F
1.5	2.0	2.5	3.0

Throw 停档位数 (2代表两档)

MK-12C02

MK12C08

MK-12D13