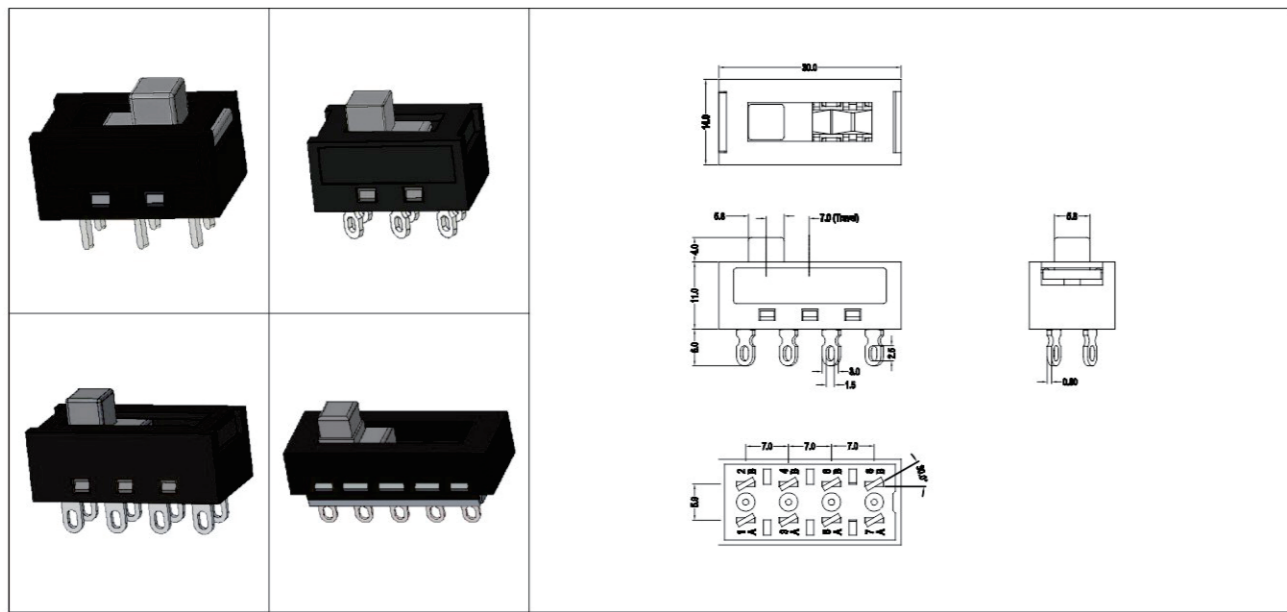


LT12 Series
Slide Switch

ORDERING INFORMATION

2	2	S1	A	1	A	B0	B0	
Function	Terminal Type	Rating	Knob Type	Base Type	Knob Color	Base Color	Notes	
11 1P1T	S1	A 3(2)A 250VAC 6A 125VAC	1	A 23.0 For 11, 12, 21, 22 Function	B0 Black W0 White	B0 Black W0 White	Other requested information	
12 1P2T			2					
21 2P1T			3					
22 2P2T	P1	B 10(8)A 250VAC 16A 125VAC	2	B 20.0 For 13, 23 Function	B0 Black W0 White	B0 Black W0 White	Other requested information	
13 1P3T			3					
23 2P3T								
14 1P4T								
24 2P4T				C 27.0 For 14, 24 Function				

DRAWING AND DIMENIONS (MM)



SPECIFICATIONS

* Rating:
3(2)A 250VAC T125 1E4
6A 125VAC T125 1E4
10(8)A 250VAC T125 1E4
16A 125VAC T125 1E4



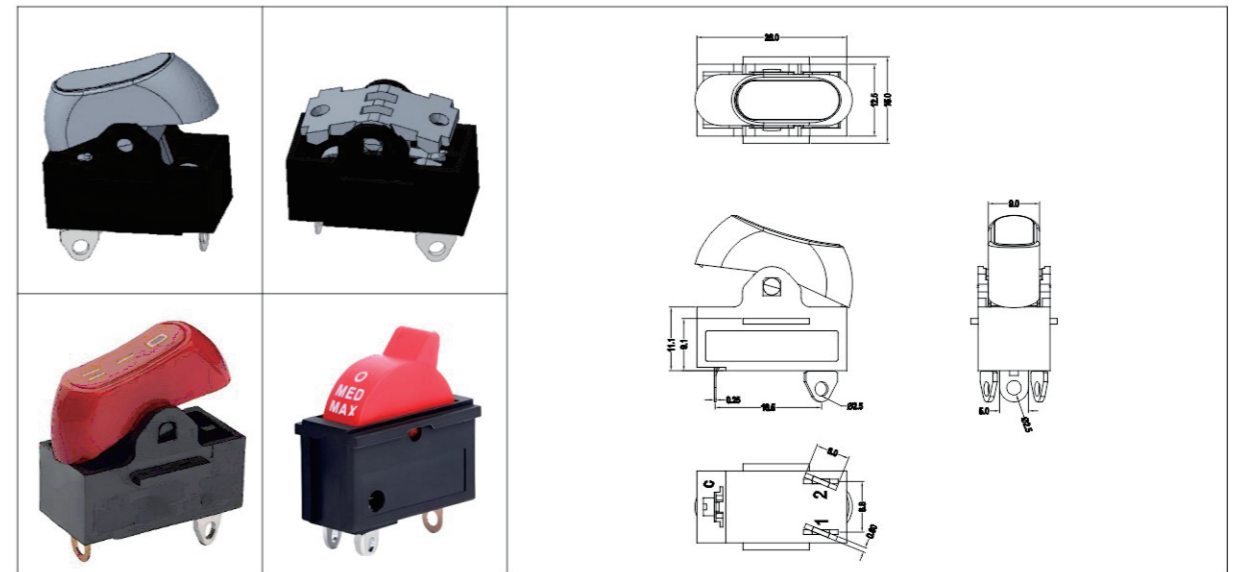
* Characteristic:
Contact Resistance: 20mΩ(max.)
Insulation Resistance: DC 500V 100MΩ(min.)
Dielectric Strength: 1500VAC/1Minute

LT21 Series
Rocker Switch

ORDERING INFORMATION

A	A	1	A	0	B0	B0	W0	
Function	Rating	Knob Type	Base Type	Stamp Type	Knob Color	Stamp Color	Notes	
A OFF-ON ₁₊₂	A 10(2)A 250VAC 5E4 16(4)A 250VAC 16A 125VAC	1	A 28.0 12.5	0 None	B0 Black	00 None	Other requested information	
C ON-OFF-ON ₁₊₂				1 - - -	E0 Blue	B0 Black		
K OFF-ON ₁ -ON ₁₊₂				2 - - -	H0 Gray	E0 Blue		
W ON-OFF-ON ₁₊₂				3 - - -	G0 Green	H0 Gray		
				4 - - -	N0 Orange	G0 Green		
				5 - - -	P0 Purple	N0 Orange		
				6 - - -	R0 Red	P0 Purple		
					W0 White	R0 Red		
					Y0 Yellow	W0 White		
						Y0 Yellow		

DRAWING AND DIMENIONS (MM)



SPECIFICATIONS

10(2)A 250VAC 5E4 40T125
16(4)A 250VAC 1E4 40T125
16A 125VAC 1E4 40T125



* Characteristic:
Contact Resistance: 20mΩ(max.)
Insulation Resistance: DC 500V 100MΩ(min.)
Dielectric Strength: 1500VAC/1Minute

LT22 Series
Rocker Switch

ORDERING INFORMATION

Function	Rating	Knob Type	Base Type	Terminal Type	Knob Color	Base Color	Stamp Type	Stamp Color	Lamp Voltage	Lamp Color	Notes
A ON-OFF	3(1)A 250VAC 6A 125VAC	1	A	A	B0 Black	B0 Black	0 none	00 None	0 None	0 None	Other requested information
B ON(OFF)	6(6)A 250VAC 5E4 10.1(8)A 250VAC	2	A	A	E0 Blue	E0 Blue	1 - - ○	B0 Black	1 12V	B Blue	
C (ON)-OFF		3	B	B	H0 Gray	H0 Gray	2 ·	E0 Blue	2 24V	G Green	
D ON-OFF W/Lamp (Standard neutral)		4	B	B	G0 Green	G0 Green	3 - - =	H0 Gray	3 24V	O Orange	
E ON-OFF W/Lamp (switched neutral)		5	B	B	N0 Orange	N0 Orange	4 - - =	G0 Green	4 48V	R Red	
F ON-ON		6	C	C	P0 Purple	P0 Purple	5 ≡ ≡ ≡	N0 Orange	5 110V	W White	
G ON(OH)			C	C	R0 Red	R0 Red	6 ≡ ≡ ≡	P0 Purple	6 220V	Y Yellow	
H ON-OFF-ON			D	D	W0 White	W0 White		R0 Red			
J ON-OFF-(ON)			D	D	Y0 Yellow	Y0 Yellow		W0 White			
K (ON)-OFF-(ON)			E	E				Y0 Yellow			
L Indicator			F	F							

DRAWING AND DIMENIONS (MM)

Panel Thickness	X
0.75-1.25	20.5
1.25-2.0	20.8
2.0-3.0	21.1

SPECIFICATIONS

3(1)A 125VAC/250VAC	T85 1E4
6(1)A 125VAC	T85 1E4
6(6)A 125VAC/250VAC	T85 5E4
10.1(8)A 125VAC/250VAC	T85 1E4
15(8)A 125VAC	T85 1E4

* Characteristic:
Contact Resistance: 20mΩ(max.)
Insulation Resistance: DC 500V 100MΩ(min.)
Dielectric Strength: 1500VAC/1Minute



LT22 Series
Rocker Switch

DRAWING AND DIMENIONS (MM)

Panel Thickness	X
0.75-1.25	19.2
1.25-2.0	19.4
2.0-3.0	19.8

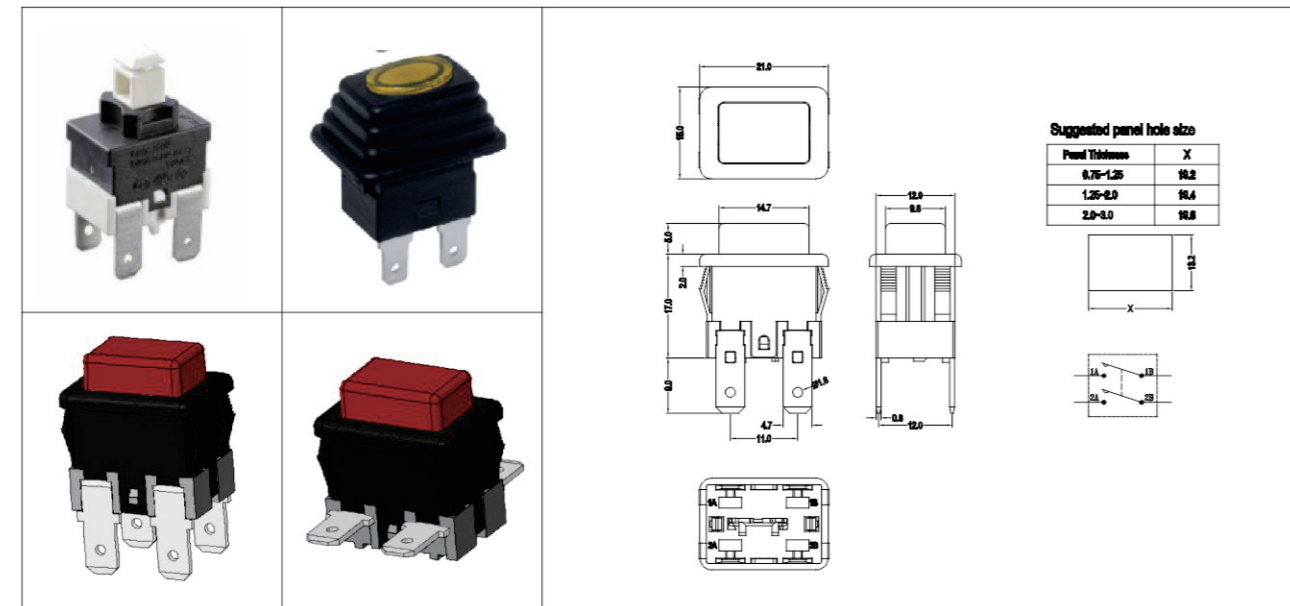
LT31 Series
Rocker Switch

ORDERING INFORMATION

A Q1 1 A A 2 R0 B0 0 W0

Function	Terminal Type	Knob Type	Base Type	Rating	No. of poles	Knob Color	Base Color	Stamp Type	Stamp Color	Notes
A ON-OFF W/lock Only used with knob A and C	Q1	A	A	16A 125V/250VAC 10(6)A 250VAC 5E4 16(6)A 250VAC	1 Single	B0 Black	B0 Black	0 None	00 None	Other requested information
B ON-OFF (L) LAMP Only used with knob A and C	Q2	A	A		2 Double	E0 Blue	E0 Blue	1	B0 Black	
C (ON)-OFF Only used with knob A and C	Q3	B	B			H0 Gray	H0 Gray	2	E0 Blue	
D ON-OFF W/lock Only used with knob B and D	Q4	C	B			G0 Green	G0 Green		H0 Gray	
E (ON)-OFF Only used with knob B and D		D	B			N0 Orange	N0 Orange		G0 Green	
M (ON)-OFF W/Lamp Only used with knob A and C	S1		B			P0 Purple	P0 Purple		N0 Orange	
	P1		B			R0 Red	R0 Red		P0 Purple	
			B			W0 White	W0 White		R0 Red	
			B			Y0 Yellow	Y0 Yellow		W0 White	
			B						Y0 Yellow	
			B							
			B							

DRAWING AND DIMENSIONS (MM)



SPECIFICATIONS

16A 125V/250VAC 1E4 T125
10(6)A 250VAC 5E4 T125
16(6)A 250VAC 1E4 T125



* Characteristic:
Contact Resistance: 20mΩ(max.)
Insulation Resistance: DC 500V 100MΩ(min.)
Dielectric Strength: 1500VAC/1Minute

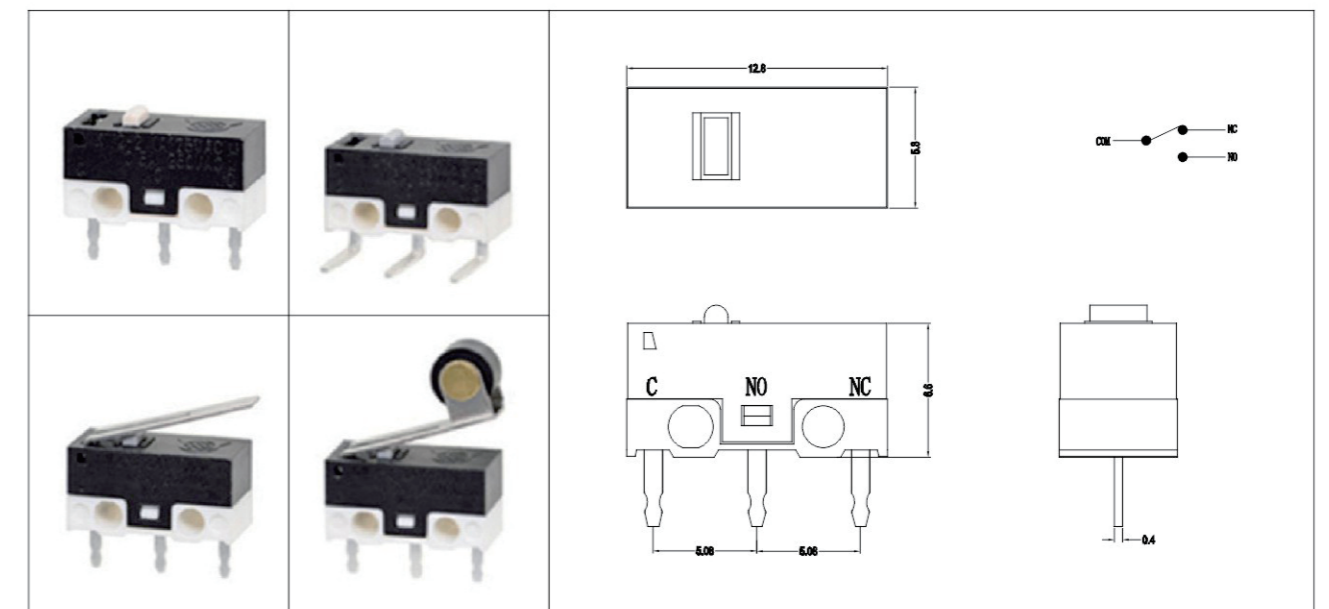
LT50 Series
Rocker Switch

ORDERING INFORMATION

A A 01 P0 034 030 1

Function	Rating	Knob Type	Terminal Type	TERMINAL LENGTH	FORCE	Knob Color	Notes
A ON-ON	0.1A 125V/250VAC	00	P0	034 3.4	030 30g.f	1 White	Other requested information
B ON(OFF)	0.5A 125V/250VAC			030 3.0	035 35g.f	2 Black	
C (ON)-OFF	1A 125V/250VAC	01	N	100 10.0	110 110g.f		
	1.5A 125V/250VAC			107 10.7			
	3(1)A 125VAC						
C	0.1A 30VDC	02	CL				
	0.2A 15VDC	03	CR				

DRAWING AND DIMENSIONS (MM)



SPECIFICATIONS

0.1A 125/250VAC 25T85 1E4
0.5A 125/250VAC 25T85 1E4
1A 125/250VAC 25T85 1E4
1.5A 125/250VAC 25T85 1E4
2A 125/250VAC 25T85 1E4
3A 125/250VAC 25T85 1E4
3(1)A 125/250VAC 25T85 1E4



* Characteristic:
Contact Resistance: 50mΩ(max.)
Insulation Resistance: DC 500V 100MΩ(min.)
Dielectric Strength: 500VAC/1Minute
Mechanical Life: 10,000,000 cycles